

# Bellows suction cup (oval)

<https://www.schmalz.com/10.01.06.00902>



## SAOB 140x70 NBR-60 G1/4-IG

Part no.: 10.01.06.00902

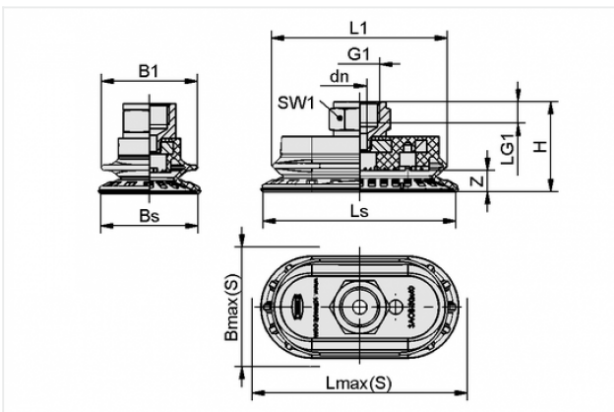
Homepage > Vacuum Technology for Automation > Vacuum Components > Vacuum Suction Cups > Bellows Suction Cups (Oval) > Bellows Suction Cups SAOB (Oval, 1.5 Folds) > SAOB 140x70 NBR-60 G1/4-IG

### Bellows suction cup (oval) for high dynamic on curved, oily surfaced workpieces



Dimensions (LxB): 140 x 70 mm  
Suction cup material:  
Nitrile rubber NBR  
Material hardness: 60 °Sh  
Nipple material: Brass, nickel-plated  
Vacuum connection: G1/4-F  
Number of folds: 1.5

#### Design Data



Attribute	Value
-----------	-------

B1	67 mm
Bmax(S)	75 mm
Bs	70.1 mm
dn	8 mm
G1	G1/4"-F
H	47 mm
L1	126 mm
LG1	8 mm
Lmax(S)	146 mm
Ls	141.1 mm
SW1	17 mm
Z	16.5 mm

#### Contact to Schmalz

J. Schmalz GmbH | Johannes-Schmalz-Straße, 72293 Glatten, Deutschland | +49 7443 2403-102 | [customercenter@schmalz.de](mailto:customercenter@schmalz.de)

## Technical Data

Attribute	Value
Suction force	165 N
Pull-off force	355.2 N
Lateral force	472.7 N
Lateral force (oily surface)	245.6 N
Volume	106 cm <sup>3</sup>
Curve radius (min) (convex)	70 mm
Internal hose diameter (recom.)	6 mm
Dimensions (LxB)	140 x 70 mm
Suction cup material	Nitrile rubber NBR
Material hardness	60 °Sh
Number of folds	1.5
Weight	120.7 g
Product family	SAOB

### Note:

- Suction force: The specified suction forces are theoretical values at a vacuum of -0.6 bar and with a smooth, dry workpiece surface - they do not include a safety factor
- Lateral force: The specified lateral forces are values measured at a vacuum of -0.6 bar with a dry or oily, smooth, flat workpiece surface. Depending on the workpiece surface and its quality, the actual values may deviate from these values
- Hose diameter: The recommended hose diameter refers to a hose length of approx. 2 m