

Bellows suction cup (oval)

<https://www.schmalz.com/10.01.06.00912>



SAOB 110x55 NBR-60 RA

Part no.: 10.01.06.00912

Homepage > Vacuum Technology for Automation > Vacuum Components > Vacuum Suction Cups > Bellows Suction Cups (Oval) > Bellows Suction Cups SAOB (Oval, 1.5 Folds) > SAOB 110x55 NBR-60 RA

Bellows suction cup (oval) for high dynamic on curved, oily surfaced workpieces



Dimensions (LxB): 110 x 55 mm

Suction cup material:

Nitrile rubber NBR

Material hardness: 60 °Sh

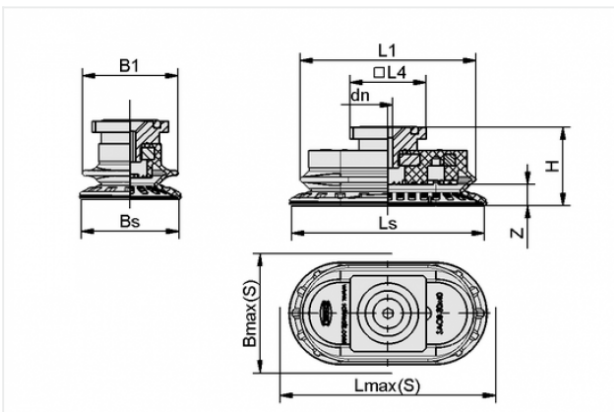
Nipple material: Aluminium

Vacuum connection:

Rectangular adapter

Number of folds: 1.5

Design Data



Attribute	Value
-----------	-------

B1	53 mm
----	-------

Bmax(S)	59 mm
---------	-------

Bs	55.1 mm
----	---------

dn	6 mm
----	------

H	38.5 mm
---	---------

L1	98.8 mm
----	---------

L4	31.8 mm
----	---------

Lmax(S)	114 mm
---------	--------

Ls	110.1 mm
----	----------

Z	12 mm
---	-------

Contact to Schmalz

J. Schmalz GmbH | Johannes-Schmalz-Straße, 72293 Glatten, Deutschland | +49 7443 2403-102 | customercenter@schmalz.de

Technical Data

Attribute	Value
Suction force	110 N
Pull-off force	233.5 N
Lateral force	299.2 N
Lateral force (oily surface)	123.6 N
Volume	53.1 cm ³
Curve radius (min) (convex)	50 mm
Internal hose diameter (recom.)	6 mm
Dimensions (LxB)	110 x 55 mm
Suction cup material	Nitrile rubber NBR
Material hardness	60 °Sh
Number of folds	1.5
Weight	84.2 g
Product family	SAOB

Note:

- Suction force: The specified suction forces are theoretical values at a vacuum of -0.6 bar and with a smooth, dry workpiece surface - they do not include a safety factor
- Lateral force: The specified lateral forces are values measured at a vacuum of -0.6 bar with a dry or oily, smooth, flat workpiece surface. Depending on the workpiece surface and its quality, the actual values may deviate from these values
- Hose diameter: The recommended hose diameter refers to a hose length of approx. 2 m