

# Bellows suction cup (oval)

<https://www.schmalz.com/10.01.06.00910>



## SAOB 80x40 NBR-60 RA

Part no.: 10.01.06.00910

Homepage > Vacuum Technology for Automation > Vacuum Components > Vacuum Suction Cups > Bellows Suction Cups (Oval) > Bellows Suction Cups SAOB (Oval, 1.5 Folds) > SAOB 80x40 NBR-60 RA

### Bellows suction cup (oval) for high dynamic on curved, oily surfaced workpieces



Dimensions (LxB): 80 x 40 mm

Suction cup material:

Nitrile rubber NBR

Material hardness: 60 °Sh

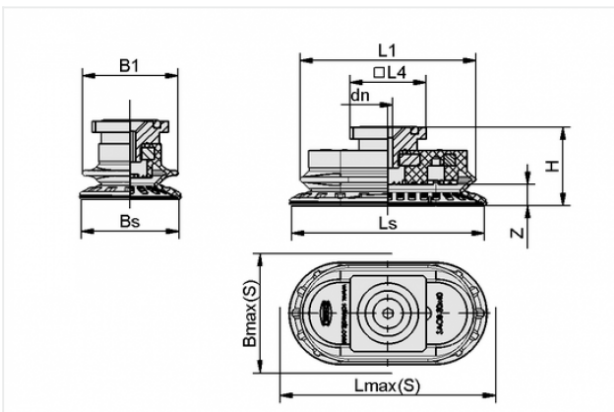
Nipple material: Aluminium

Vacuum connection:

Rectangular adapter

Number of folds: 1.5

### Design Data



| Attribute | Value |
|-----------|-------|
|-----------|-------|

|    |       |
|----|-------|
| B1 | 40 mm |
|----|-------|

|         |       |
|---------|-------|
| Bmax(S) | 43 mm |
|---------|-------|

|    |         |
|----|---------|
| Bs | 40.6 mm |
|----|---------|

|    |      |
|----|------|
| dn | 4 mm |
|----|------|

|   |         |
|---|---------|
| H | 32.7 mm |
|---|---------|

|    |         |
|----|---------|
| L1 | 73.3 mm |
|----|---------|

|    |         |
|----|---------|
| L4 | 31.8 mm |
|----|---------|

|         |       |
|---------|-------|
| Lmax(S) | 83 mm |
|---------|-------|

|    |         |
|----|---------|
| Ls | 80.6 mm |
|----|---------|

|   |      |
|---|------|
| Z | 9 mm |
|---|------|

### Contact to Schmalz

J. Schmalz GmbH | Johannes-Schmalz-Straße, 72293 Glatten, Deutschland | +49 7443 2403-102 | [customercenter@schmalz.de](mailto:customercenter@schmalz.de)

## Technical Data

| Attribute                       | Value                |
|---------------------------------|----------------------|
| Suction force                   | 65 N                 |
| Pull-off force                  | 131.7 N              |
| Lateral force                   | 152.8 N              |
| Lateral force (oily surface)    | 73.6 N               |
| Volume                          | 21.8 cm <sup>3</sup> |
| Curve radius (min) (convex)     | 25 mm                |
| Internal hose diameter (recom.) | 6 mm                 |
| Dimensions (LxB)                | 80 x 40 mm           |
| Suction cup material            | Nitrile rubber NBR   |
| Material hardness               | 60 °Sh               |
| Number of folds                 | 1.5                  |
| Weight                          | 36.3 g               |
| Product family                  | SAOB                 |

### Note:

- Suction force: The specified suction forces are theoretical values at a vacuum of -0.6 bar and with a smooth, dry workpiece surface - they do not include a safety factor
- Lateral force: The specified lateral forces are values measured at a vacuum of -0.6 bar with a dry or oily, smooth, flat workpiece surface. Depending on the workpiece surface and its quality, the actual values may deviate from these values
- Hose diameter: The recommended hose diameter refers to a hose length of approx. 2 m