

Bellows suction cup (oval)

<https://www.schmalz.com/10.01.06.00468>



FGAO 140x65 VU1-72 N039

Part no.: 10.01.06.00468

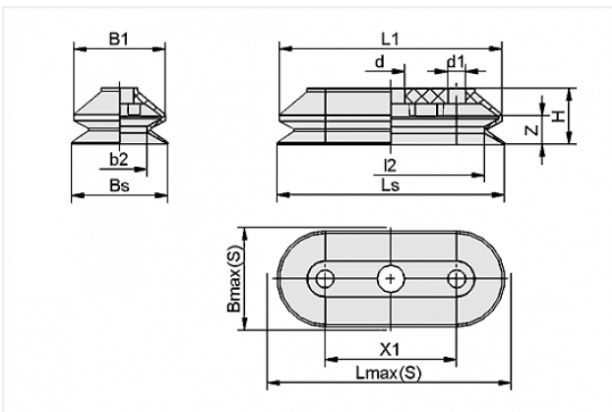
Homepage > Vacuum Technology for Automation > Vacuum Components > Vacuum Suction Cups > Bellows Suction Cups (Oval) > FGAO 140x65 VU1-72 N039

Bellows suction cup (oval), very hard-wearing, for narrow workpieces



Dimensions (LxB): 140 x 65 mm
Suction cup material: Vulkollan VU1
Material hardness: 72 °Sh
Number of folds: 1.5

Design Data



Attribute	Value
-----------	-------

b2	36 mm
----	-------

B1	65 mm
----	-------

Bmax(S)	68.5 mm
---------	---------

Bs	65 mm
----	-------

d	15.5 mm
---	---------

d1	9.5 mm
----	--------

H	30 mm
---	-------

l2	111 mm
----	--------

L1	140 mm
----	--------

Lmax(S)	142 mm
---------	--------

Ls	140 mm
----	--------

X1	75 mm
----	-------

Z	16 mm
---	-------

Contact to Schmalz

J. Schmalz GmbH | Johannes-Schmalz-Straße, 72293 Glatten, Deutschland | +49 7443 2403-102 | customercenter@schmalz.de

Technical Data

Attribute	Value
Suction force	225 N
Pull-off force	255 N
Curve radius (min) (convex)	30 mm
Dimensions (LxB)	140 x 65 mm
Number of folds	1.5
Suction cup material	Vulkollan VU1
Material hardness	72 °Sh
Weight	71.5 g
Product family	FGAO
