

# Bellows suction cup (oval)

<https://www.schmalz.com/10.01.06.00498>



FSGAO 140x65 VU1-72  
G1/4-AG

Part no.: 10.01.06.00498

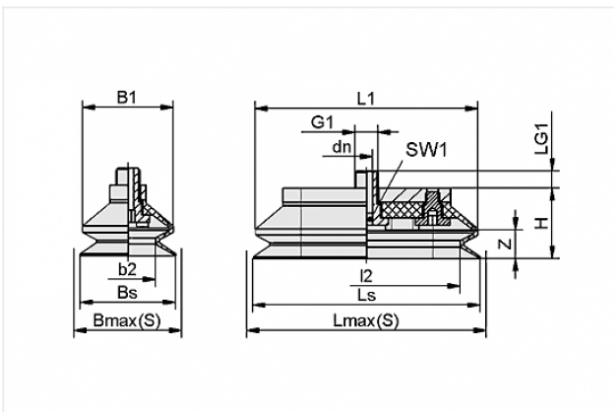
Homepage > Vacuum Technology for Automation > Vacuum Components > Vacuum Suction Cups > Bellows Suction Cups (Oval) > Bellows Suction Cups FSGAO (1.5 Folds) > FSGAO 140x65 VU1-72 G1/4-AG

## Bellows suction cup (oval), very hard-wearing, for narrow workpieces



Dimensions (LxB): 140 x 65 mm  
Suction cup material: Vulkollan VU1  
Material hardness: 72 °Sh  
Nipple material: Brass  
Vacuum connection: G1/4-M  
Number of folds: 1.5

### Design Data



#### Attribute Value

b2	36 mm
B1	65 mm
Bmax(S)	68.5 mm
Bs	65 mm
dn	8 mm
G1	G1/4"-M
H	38 mm
L1	140 mm
l2	111 mm
LG1	10 mm
Lmax(S)	142 mm
Ls	140 mm
SW1	8 mm

### Contact to Schmalz

J. Schmalz GmbH | Johannes-Schmalz-Straße, 72293 Glatten, Deutschland | +49 7443 2403-102 | [customercenter@schmalz.de](mailto:customercenter@schmalz.de)

Attribute	Value
Z	16 mm

## Technical Data

Attribute	Value
Suction force	225 N
Pull-off force	255 N
Volume	113.615 cm <sup>3</sup>
Curve radius (min) (convex)	30 mm
Internal hose diameter (recom.)	9 mm
Nipple	N 039
Dimensions (LxB)	140 x 65 mm
Number of folds	1.5
Suction cup material	Vulkollan VU1
Material hardness	72 °Sh
Weight	175 g
Product family	FSGAO

### Note:

- Suction force: The specified suction forces are theoretical values at a vacuum of -0.6 bar and with a smooth, dry workpiece surface - they do not include a safety factor
- Hose diameter: The recommended hose diameter refers to a hose length of approx. 2 m

## Spare Parts

### Contact to Schmalz



**FGAO 140x65 VU1-72 N039**

Part no. 10.01.06.00468

Bellows suction cup (oval), very hard-wearing, for narrow workpieces

Dimensions (LxB): 140 x 65 mm

Suction cup material: Vulkollan VU1

Material hardness: 72 °Sh

Number of folds: 1.5