

# Bellows suction cup (oval)

<https://www.schmalz.com/10.01.06.00499>



## FGAO 95x40 VU1-72 N038

Part no.: 10.01.06.00499

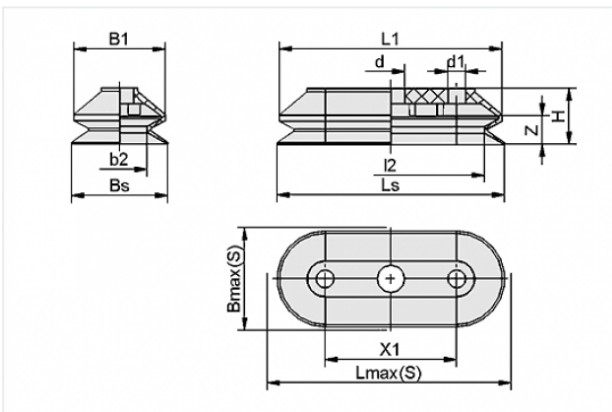
Homepage > Vacuum Technology for Automation > Vacuum Components > Vacuum Suction Cups > Bellows Suction Cups (Oval) > FGAO 95x40 VU1-72 N038

### Bellows suction cup (oval), very hard-wearing, for narrow workpieces



Dimensions (LxB): 95 x 40 mm  
Suction cup material: Vulkollan VU1  
Material hardness: 72 °Sh  
Number of folds: 1.5

#### Design Data



Attribute	Value
-----------	-------

b2	23 mm
B1	38 mm
Bmax(S)	42.5 mm
Bs	40 mm
d	11.5 mm
d1	7.5 mm
H	23.5 mm
l2	78 mm
L1	93 mm
Lmax(S)	97 mm
Ls	95 mm
X1	55 mm
Z	12 mm

#### Contact to Schmalz

J. Schmalz GmbH | Johannes-Schmalz-Straße, 72293 Glatten, Deutschland | +49 7443 2403-102 | [customercenter@schmalz.de](mailto:customercenter@schmalz.de)

---

## Technical Data

Attribute	Value
Suction force	95 N
Pull-off force	110 N
Curve radius (min) (convex)	20 mm
Dimensions (LxB)	95 x 40 mm
Number of folds	1.5
Suction cup material	Vulkollan VU1
Material hardness	72 °Sh
Weight	20.9 g
Product family	FGAO

---

---