

Bellows suction cup (oval)

<https://www.schmalz.com/10.01.06.00503>



FSGAO 95x40 VU1-72 G1/8-AG

Part no.: 10.01.06.00503

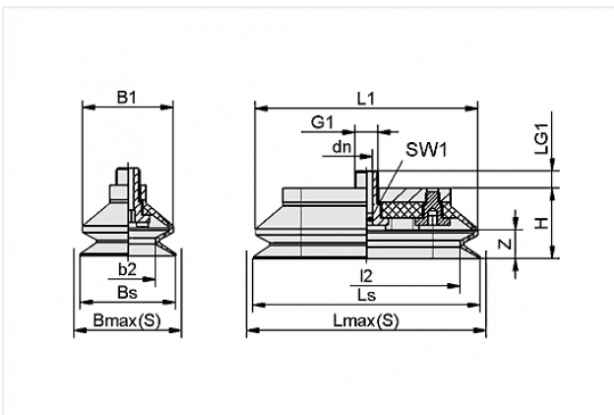
Homepage > Vacuum Technology for Automation > Vacuum Components > Vacuum Suction Cups > Bellows Suction Cups (Oval) > Bellows Suction Cups FSGAO (1.5 Folds) > FSGAO 95x40 VU1-72 G1/8-AG

Bellows suction cup (oval), very hard-wearing, for narrow workpieces



Dimensions (LxB): 95 x 40 mm
Suction cup material: Vulkollan VU1
Material hardness: 72 °Sh
Nipple material: Brass
Vacuum connection: G1/8-M
Number of folds: 1.5

Design Data



Attribute Value

b2	23 mm
B1	38 mm
Bmax(S)	42.5 mm
Bs	40 mm
dn	5 mm
G1	G1/8"-M
H	29.5 mm
L1	93 mm
l2	78 mm
LG1	8 mm
Lmax(S)	97 mm
Ls	95 mm
SW1	4 mm

Contact to Schmalz

J. Schmalz GmbH | Johannes-Schmalz-Strasse, 72293 Glatten, Deutschland | +49 7443 2403-102 | customercenter@schmalz.de

Attribute	Value
Z	12 mm

Technical Data

Attribute	Value
Suction force	95 N
Pull-off force	110 N
Volume	38.217 cm ³
Curve radius (min) (convex)	20 mm
Internal hose diameter (recom.)	9 mm
Nipple	N 038
Dimensions (LxB)	95 x 40 mm
Number of folds	1.5
Suction cup material	Vulkollan VU1
Material hardness	72 °Sh
Weight	125 g
Product family	FSGAO

Note:

- Suction force: The specified suction forces are theoretical values at a vacuum of -0.6 bar and with a smooth, dry workpiece surface - they do not include a safety factor
- Hose diameter: The recommended hose diameter refers to a hose length of approx. 2 m

Spare Parts

Contact to Schmalz



FGAO 95x40 VU1-72 N038

Part no. 10.01.06.00499

Bellows suction cup (oval), very hard-wearing, for narrow workpieces

Dimensions (LxB): 95 x 40 mm

Suction cup material: Vulkollan VU1

Material hardness: 72 °Sh

Number of folds: 1.5