

# Egg suction cup

## FGA-X 35 NK-50

Part no.: 10.01.06.01107

<https://www.schmalz.com/10.01.06.01107>



Homepage > Vacuum Technology for Automation > Vacuum Components > Vacuum Suction Cups > Suction Cups for Different Industries > Egg

Suction Cups FG X, FGA X, FGB X > FGA-X 35 NK-50

## Egg suction cup



Size: 35

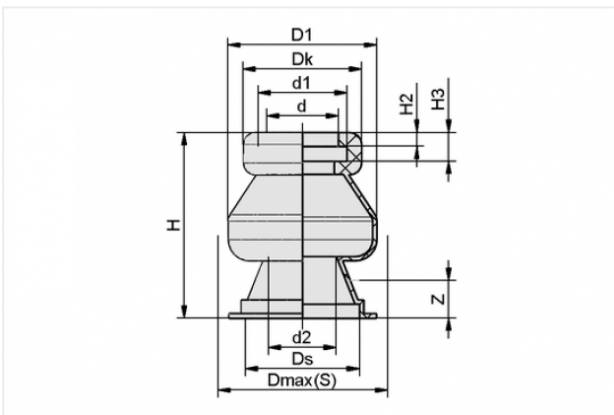
Suction cup material:

Natural Rubber NK

Material hardness: 50 °Sh

Number of folds: 1.5

## Design Data



Attribute	Value
-----------	-------

d	17.6 mm
---	---------

d1	21.5 mm
----	---------

d2	18 mm
----	-------

D1	36 mm
----	-------

Dk	29 mm
----	-------

Dmax(S)	42 mm
---------	-------

Ds	26.5 mm
----	---------

H	42.6 mm
---	---------

H2	4 mm
----	------

H3	6 mm
----	------

Z	19.5 mm
---	---------

## Contact to Schmalz

J. Schmalz GmbH | Johannes-Schmalz-Straße, 72293 Glatten, Deutschland | +49 7443 2403-102 | [customercenter@schmalz.de](mailto:customercenter@schmalz.de)

## Technical Data

Attribute	Value
Volume	21.4 cm <sup>3</sup>
Size	35
Number of folds	1.5
Suction cup material	Natural Rubber NK
Material hardness	50 °Sh
Weight	9.5 g

---

---