

# Suction cup connection nipple

## SA-NIP N046 G1/8-AG DN250

<https://www.schmalz.com/10.01.06.03608>



Part no.: 10.01.06.03608

Homepage > Vacuum Technology for Automation > Vacuum Components > Vacuum Suction Cups > Suction Cups for Different Industries > SA-NIP

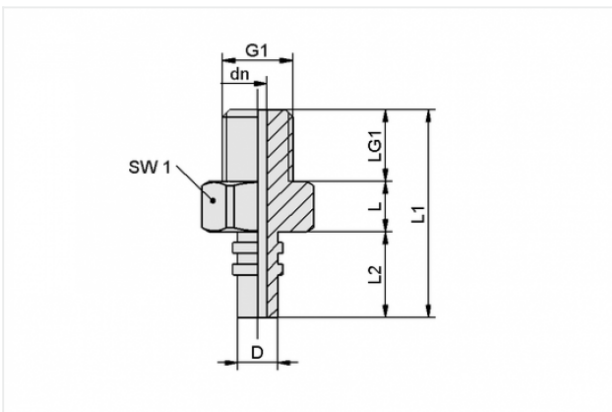
N046 G1/8-AG DN250

## Suction cup connection nipple



Nipple: N 046  
Thread G1: G1/8"-M  
Overall length: 29 mm  
Fitting length: 7 mm  
Nominal size: 2,50 mm  
Material: Aluminium

## Design Data



Attribute	Value
-----------	-------

dn	2.5 mm
----	--------

D	6.9 mm
---	--------

G1	G1/8"-M
----	---------

L	7 mm
---	------

L1	29 mm
----	-------

L2	12 mm
----	-------

LG1	10 mm
-----	-------

SW1	14 mm
-----	-------

## Technical Data

### Contact to Schmalz

J. Schmalz GmbH | Johannes-Schmalz-Straße, 72293 Glatten, Deutschland | +49 7443 2403-102 | [customercenter@schmalz.de](mailto:customercenter@schmalz.de)



Attribute	Value
Nipple	N 046
Material	Aluminium
Weight	6 g

---

---