

Egg suction cup

FG-X 34 SI-30 N046

Part no.: 10.01.06.01106

<https://www.schmalz.com/10.01.06.01106>



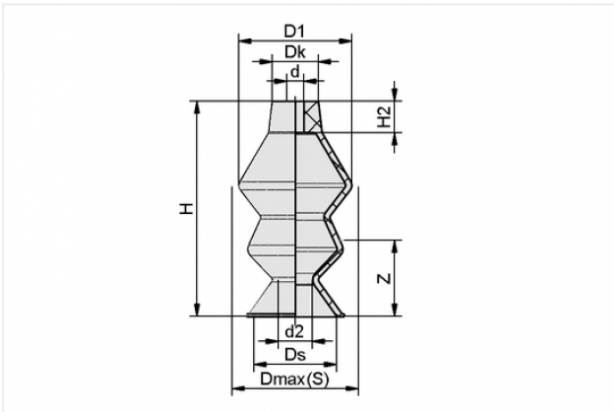
Homepage > Vacuum Technology for Automation > Vacuum Components > Vacuum Suction Cups > Suction Cups for Different Industries > Egg Suction Cups FG X, FGA X, FGB X > FG-X 34 SI-30 N046

Egg suction cup



Size: 34
Suction cup material: Silicone SI
Material hardness: 30 °Sh
Number of folds: 2.5

Design Data



Attribute	Value
-----------	-------

d	6 mm
d2	13.5 mm
D1	41.5 mm
Dk	16 mm
Dmax(S)	45 mm
Ds	32 mm
H	78 mm
H2	12 mm
Z	42.5 mm

Contact to Schmalz

J. Schmalz GmbH | Johannes-Schmalz-Straße, 72293 Glatten, Deutschland | +49 7443 2403-102 | customercenter@schmalz.de

Technical Data

Attribute	Value
Volume	29.3 cm ³
Size	34
Nipple	N 046
Number of folds	2.5
Suction cup material	Silicone SI
Material hardness	30 °Sh
Weight	17.5 g

Accessories



SA-NIP N046 G1/8-AG DN250

Part no. 10.01.06.03608

Suction cup connection nipple

Nipple: N 046

Thread G1: G1/8"-M

Overall length: 29 mm

Fitting length: 7 mm

Nominal size: 2,50 mm

Material: Aluminium