

# Egg suction cup

## FGB-X 33 SI-50 N020

<https://www.schmalz.com/10.01.06.01104>



Part no.: 10.01.06.01104

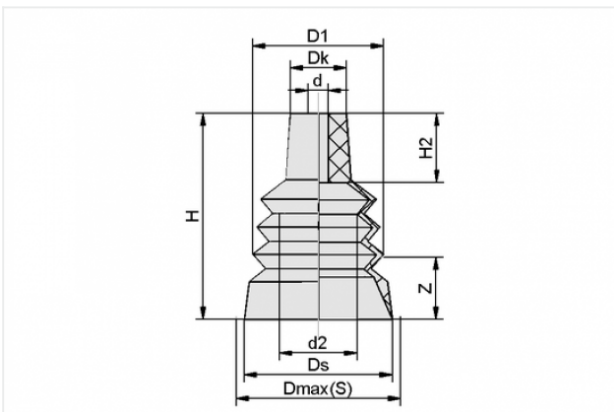
Homepage > Vacuum Technology for Automation > Vacuum Components > Vacuum Suction Cups > Suction Cups for Different Industries > Egg Suction Cups FG X, FGA X, FGB X > FGB-X 33 SI-50 N020

## Egg suction cup



Size: 33  
Suction cup material: Silicone SI  
Material hardness: 50 °Sh  
Number of folds: 3.5

## Design Data



Attribute	Value
d	4.5 mm
d2	17.3 mm
D1	30 mm
Dk	14 mm
Dmax(S)	34 mm
Ds	32.5 mm
H	46 mm
H2	14.5 mm
Z	18 mm

## Contact to Schmalz

J. Schmalz GmbH | Johannes-Schmalz-Straße, 72293 Glatten, Deutschland | +49 7443 2403-102 | [customercenter@schmalz.de](mailto:customercenter@schmalz.de)

## Technical Data

Attribute	Value
Size	33
Nipple	N 020
Number of folds	3.5
Suction cup material	Silicone SI
Material hardness	50 °Sh
Weight	7.3 g

## Accessories



### SA-NIP N020 M5-AG DN180

Part no. 10.01.01.00312

Suction cup connection nipple

Nipple: N 020

Thread G1: M5-M

Overall length: 15 mm

Fitting length: 3 mm

Nominal size: 1,80 mm

Material: Aluminium