

Egg suction cup

FG-X 30 SI-35 N020

Part no.: 10.01.06.00594

<https://www.schmalz.com/10.01.06.00594>



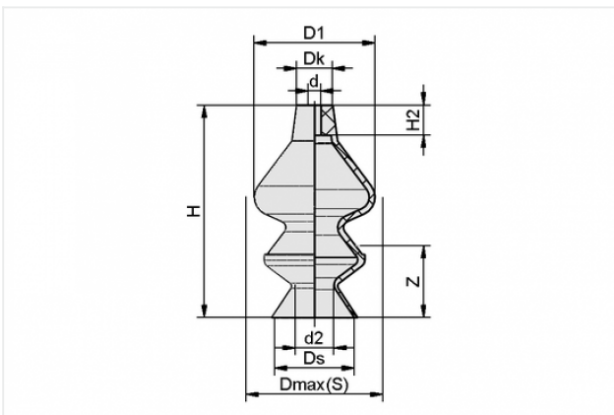
Homepage > Vacuum Technology for Automation > Vacuum Components > Vacuum Suction Cups > Suction Cups for Different Industries > Egg Suction Cups FG X, FGA X, FGB X > FG-X 30 SI-35 N020

Egg suction cup



Size: 30
Suction cup material: Silicone SI
Material hardness: 35 °Sh
Number of folds: 2.5

Design Data



Attribute	Value
-----------	-------

d	4.5 mm
d2	13.5 mm
D1	42 mm
Dk	13 mm
Dmax(S)	45 mm
Ds	27 mm
H	73 mm
H2	12 mm
Z	37.5 mm

Contact to Schmalz

J. Schmalz GmbH | Johannes-Schmalz-Straße, 72293 Glatten, Deutschland | +49 7443 2403-102 | customercenter@schmalz.de

Technical Data

Attribute	Value
Volume	30 cm ³
Size	30
Nipple	N 020
Number of folds	2.5
Suction cup material	Silicone SI
Material hardness	35 °Sh
Weight	16.8 g

Accessories



SA-NIP N020 M5-AG DN180

Part no. 10.01.01.00312

Suction cup connection nipple

Nipple: N 020

Thread G1: M5-M

Overall length: 15 mm

Fitting length: 3 mm

Nominal size: 1,80 mm

Material: Aluminium