

Flat suction pad (round) flat

SGN 120 ECO-60 G1/4-AG

Part no.: 10.01.01.00212

<https://www.schmalz.com/10.01.01.00212>



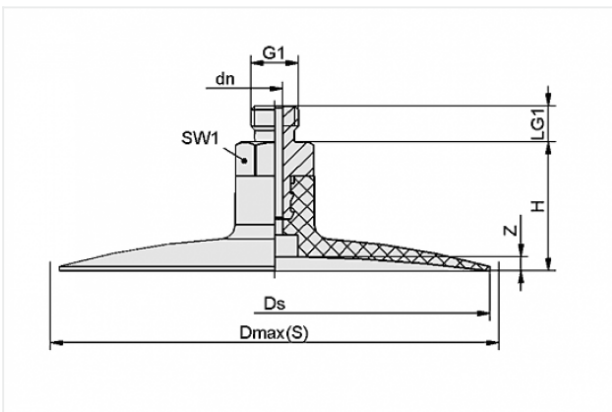
Homepage > Vacuum Technology for Automation > Vacuum Components > Vacuum Suction Cups > Suction Cups for Different Industries > Flat Suction Cups SGN > SGN 120 ECO-60 G1/4-AG

Flat suction cup (round), handling flat workpieces with different widths



Size: 120
Suction cup material: Epichlor ECO
Material hardness: 60 °Sh
Nipple material: Steel
Vacuum connection: G1/4-M

Design Data



Attribute	Value
-----------	-------

dn	4.5 mm
Dmax(S)	121 mm
Ds	120 mm
G1	G1/4"-M
H	36 mm
LG1	10 mm
SW1	19 mm
Z	4 mm

Technical Data

Contact to Schmalz

J. Schmalz GmbH | Johannes-Schmalz-Straße, 72293 Glatten, Deutschland | +49 7443 2403-102 | customercenter@schmalz.de

Attribute	Value
Suction force	200 N
Volume	2.14 cm ³
Curve radius (min) (convex)	0 mm
Internal hose diameter (recom.)	6 mm
Size	120
Suction cup material	Epichlor ECO
Material hardness	60 °Sh
Weight	93 g

Note:

- Suction force: The specified suction forces are theoretical values at a vacuum of -0.6 bar and with a smooth, dry workpiece surface - they do not include a safety factor
 - Hose diameter: The recommended hose diameter refers to a hose length of approx. 2 m
-
-