

# Flat suction pad (round) smooth

## SGN 100 NBR-55 G1/4-AG

Part no.: 10.01.01.00205

<https://www.schmalz.com/10.01.01.00205>



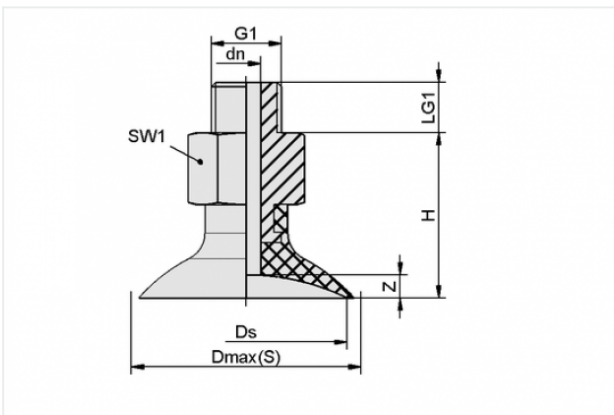
Homepage > Vacuum Technology for Automation > Vacuum Components > Vacuum Suction Cups > Suction Cups for Different Industries > Flat Suction Cups SGN > SGN 100 NBR-55 G1/4-AG

## Flat suction cup (round), dynamic handling of smooth workpieces



Size: 100  
Suction cup material:  
Nitrile rubber NBR  
Material hardness: 55 °Sh  
Vacuum connection: G1/4-M

### Design Data



Attribute	Value
-----------	-------

dn	6 mm
Dmax(S)	106 mm
Ds	100 mm
G1	G1/4"-M
H	41 mm
LG1	9 mm
SW1	22 mm
Z	10 mm

### Technical Data

#### Contact to Schmalz

J. Schmalz GmbH | Johannes-Schmalz-Straße, 72293 Glatten, Deutschland | +49 7443 2403-102 | [customercenter@schmalz.de](mailto:customercenter@schmalz.de)

Attribute	Value
Suction force	340 N
Volume	14.661 cm <sup>3</sup>
Curve radius (min) (convex)	450 mm
Internal hose diameter (recom.)	6 mm
Size	100
Suction cup material	Nitrile rubber NBR
Material hardness	55 °Sh
Weight	133.5 g

**Note:**

- Suction force: The specified suction forces are theoretical values at a vacuum of -0.6 bar and with a smooth, dry workpiece surface - they do not include a safety factor
  - Hose diameter: The recommended hose diameter refers to a hose length of approx. 2 m
- 
-