

Flat suction pad (round) smooth

SGN 80 NBR-55 G1/4-AG

<https://www.schmalz.com/10.01.01.00204>



Part no.: 10.01.01.00204

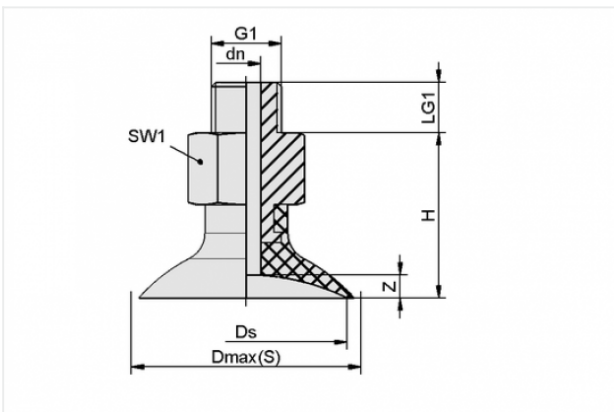
Homepage > Vacuum Technology for Automation > Vacuum Components > Vacuum Suction Cups > Suction Cups for Different Industries > Flat Suction Cups SGN > SGN 80 NBR-55 G1/4-AG

Flat suction cup (round), dynamic handling of smooth workpieces



Size: 80
Suction cup material:
Nitrile rubber NBR
Material hardness: 55 °Sh
Vacuum connection: G1/4-M

Design Data



Attribute	Value
dn	6 mm
Dmax(S)	85 mm
Ds	80 mm
G1	G1/4"-M
H	38 mm
LG1	9 mm
SW1	22 mm
Z	5 mm

Technical Data

Contact to Schmalz

J. Schmalz GmbH | Johannes-Schmalz-Straße, 72293 Glatten, Deutschland | +49 7443 2403-102 | customercenter@schmalz.de

Attribute	Value
Suction force	220 N
Volume	3.011 cm ³
Curve radius (min) (convex)	300 mm
Internal hose diameter (recom.)	6 mm
Size	80
Suction cup material	Nitrile rubber NBR
Material hardness	55 °Sh
Weight	94 g

Note:

- Suction force: The specified suction forces are theoretical values at a vacuum of -0.6 bar and with a smooth, dry workpiece surface - they do not include a safety factor
 - Hose diameter: The recommended hose diameter refers to a hose length of approx. 2 m
-
-