

Flat suction pad (round) smooth

SGN 50 NBR-55 G1/8-AG

<https://www.schmalz.com/10.01.01.00203>



Part no.: 10.01.01.00203

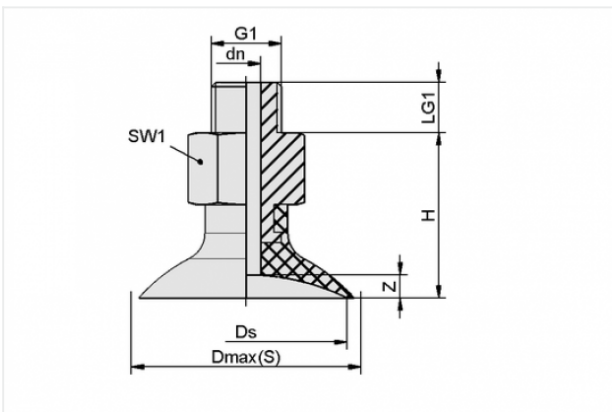
Homepage > Vacuum Technology for Automation > Vacuum Components > Vacuum Suction Cups > Suction Cups for Different Industries > Flat Suction Cups SGN > SGN 50 NBR-55 G1/8-AG

Flat suction cup (round), dynamic handling of smooth workpieces



Size: 50
Suction cup material:
Nitrile rubber NBR
Material hardness: 55 °Sh
Nipple material: Aluminium
Vacuum connection: G1/8-M

Design Data



| Attribute | Value |
|-----------|---------|
| dn | 4 mm |
| Dmax(S) | 54 mm |
| Ds | 50 mm |
| G1 | G1/8"-M |
| H | 26 mm |
| LG1 | 7 mm |
| SW1 | 14 mm |
| Z | 5 mm |

Technical Data

Contact to Schmalz

J. Schmalz GmbH | Johannes-Schmalz-Straße, 72293 Glatten, Deutschland | +49 7443 2403-102 | customercenter@schmalz.de

| Attribute | Value |
|---------------------------------|-----------------------|
| Suction force | 90 N |
| Volume | 1.833 cm ³ |
| Curve radius (min) (convex) | 210 mm |
| Internal hose diameter (recom.) | 4 mm |
| Size | 50 |
| Suction cup material | Nitrile rubber NBR |
| Material hardness | 55 °Sh |
| Weight | 26.6 g |

Note:

- Suction force: The specified suction forces are theoretical values at a vacuum of -0.6 bar and with a smooth, dry workpiece surface - they do not include a safety factor
 - Hose diameter: The recommended hose diameter refers to a hose length of approx. 2 m
-
-