

**Flat suction pad  
(round) chemical**  
SGN 45 ECO-60 G1/4-AG  
Part no.: 10.01.01.00217

<https://www.schmalz.com/10.01.01.00217>



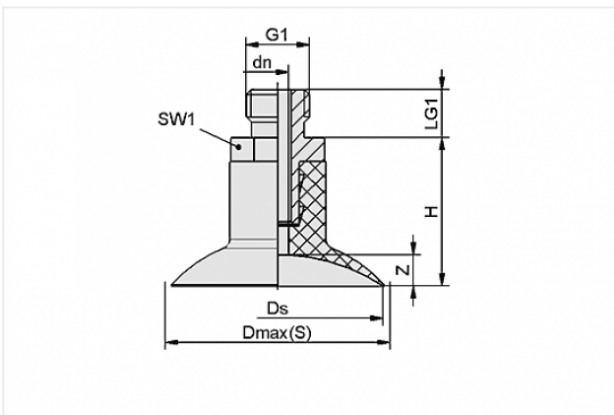
Homepage > Vacuum Technology for Automation > Vacuum Components > Vacuum Suction Cups > Suction Cups for Different Industries > Flat Suction Cups SGN > SGN 45 ECO-60 G1/4-AG

**Flat suction cup (round), workpiece handling with high chemical resistance**



Size: 45  
Suction cup material: Epichlor ECO  
Material hardness: 60 °Sh  
Nipple material: Aluminium  
Vacuum connection: G1/4-M

**Design Data**



Attribute	Value
dn	5.5 mm
Dmax(S)	50 mm
Ds	44.2 mm
G1	G1/4"-M
H	31 mm
LG1	10 mm
SW1	17 mm
Z	5 mm

**Technical Data**

**Contact to Schmalz**

J. Schmalz GmbH | Johannes-Schmalz-Straße, 72293 Glatten, Deutschland | +49 7443 2403-102 | [customercenter@schmalz.de](mailto:customercenter@schmalz.de)

Attribute	Value
Suction force	50 N
Volume	6.141 cm <sup>3</sup>
Curve radius (min) (convex)	50 mm
Internal hose diameter (recom.)	6 mm
Size	45
Suction cup material	Epichlor ECO
Material hardness	60 °Sh
Weight	18.3 g

**Note:**

- Suction force: The specified suction forces are theoretical values at a vacuum of -0.6 bar and with a smooth, dry workpiece surface - they do not include a safety factor
- Hose diameter: The recommended hose diameter refers to a hose length of approx. 2 m

**Spare Parts**



**SA-NIP N031 G1/4-AG DN550**

Part no. 10.01.01.00327

Suction cup connection nipple

Nipple: N 031

Thread G1: G1/4-M

Overall length: 28 mm

Fitting length: 5 mm

Nominal size: 5,50 mm

Material: Aluminium

Spanner size SW2: 6 mm



**SG 45 ECO-60 N031**

Part no. 10.01.01.00219

Flat suction cup (round)

Size: 45

Suction cup material: Epichlor ECO

Material hardness: 60 °Sh