

Flat suction pad (round) chemical

SGN 45 SI-60 G1/4-IG

Part no.: 10.01.01.00216

<https://www.schmalz.com/10.01.01.00216>



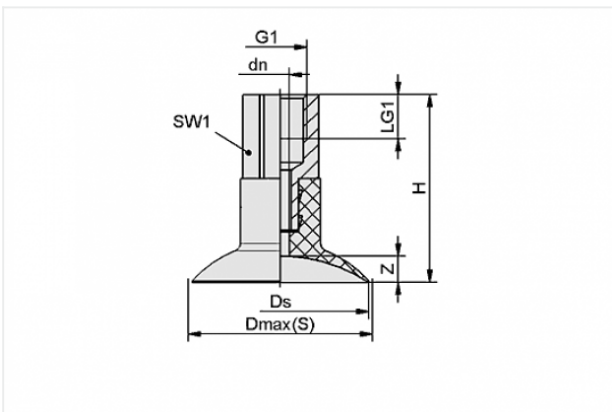
Homepage > Vacuum Technology for Automation > Vacuum Components > Vacuum Suction Cups > Suction Cups for Different Industries > Flat Suction Cups SGN > SGN 45 SI-60 G1/4-IG

Flat suction cup (round), workpiece handling with high chemical resistance



Size: 45
Suction cup material: Silicone SI
Material hardness: 60 °Sh
Material characteristics:
FDA-compatible
Nipple material: Aluminium
Vacuum connection: G1/4-F

Design Data



Attribute	Value
-----------	-------

dn	5.5 mm
----	--------

Dmax(S)	50 mm
---------	-------

Ds	44.2 mm
----	---------

G1	G1/4"-F
----	---------

H	47 mm
---	-------

LG1	11 mm
-----	-------

SW1	17 mm
-----	-------

Z	5 mm
---	------

Technical Data

Contact to Schmalz

J. Schmalz GmbH | Johannes-Schmalz-Straße, 72293 Glatten, Deutschland | +49 7443 2403-102 | customercenter@schmalz.de

Attribute	Value
Suction force	50 N
Volume	4 cm ³
Curve radius (min) (convex)	50 mm
Internal hose diameter (recom.)	6 mm
Size	45
Suction cup material	Silicone SI
Material hardness	60 °Sh
Weight	21.2 g

Note:

- Suction force: The specified suction forces are theoretical values at a vacuum of -0.6 bar and with a smooth, dry workpiece surface - they do not include a safety factor
- Hose diameter: The recommended hose diameter refers to a hose length of approx. 2 m

Spare Parts



SA-NIP N031 G1/4-IG DN550

Part no. 10.01.01.00328

Suction cup connection nipple

Nipple: N 031

Thread G1: G1/4-F

Overall length: 34 mm

Fitting length: 21 mm

Nominal size: 5,50 mm

Material: Aluminium

Spanner size SW2: 6 mm



SG 45 SI-60 N031

Part no. 10.01.01.00220

Flat suction cup (round)

Size: 45

Suction cup material: Silicone SI

Material hardness: 60 °Sh

Material characteristics:

FDA-compatible