

**Flat suction pad  
(round) thin**  
SGN 40 NBR-60 G1/8-IG K  
Part no.: 10.01.01.00785

<https://www.schmalz.com/10.01.01.00785>



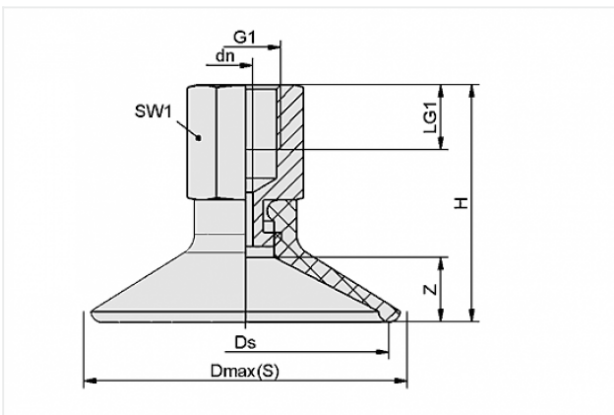
Homepage > Vacuum Technology for Automation > Vacuum Components > Vacuum Suction Cups > Suction Cups for Different Industries > Flat Suction Cups SGN > SGN 40 NBR-60 G1/8-IG K

**Flat suction cup (round), gentle, crease-free handling of plastic film and paper**



Size: 40  
Suction cup material:  
Nitrile rubber NBR  
Material hardness: 60 °Sh  
Nipple material: Aluminium  
Vacuum connection: G1/8-F  
Additional feature:  
rounded sealing lip

**Design Data**



Attribute	Value
dn	2 mm
Dmax(S)	45.5 mm
Ds	40 mm
G1	G1/8"-F
H	33 mm
LG1	9 mm
SW1	14 mm
Z	9 mm

**Technical Data**

**Contact to Schmalz**

J. Schmalz GmbH | Johannes-Schmalz-Straße, 72293 Glatten, Deutschland | +49 7443 2403-102 | [customercenter@schmalz.de](mailto:customercenter@schmalz.de)

Attribute	Value
Suction force	45 N
Volume	5.42 cm <sup>3</sup>
Curve radius (min) (convex)	45 mm
Internal hose diameter (recom.)	4 mm
Size	40
Suction cup material	Nitrile rubber NBR
Material hardness	60 °Sh
Weight	10.2 g

**Note:**

- Suction force: The specified suction forces are theoretical values at a vacuum of -0.6 bar and with a smooth, dry workpiece surface - they do not include a safety factor
- Hose diameter: The recommended hose diameter refers to a hose length of approx. 2 m

**Spare Parts**



**SA-NIP N006 G1/8-IG DN200**

Part no. 10.01.01.03522

Suction cup connection nipple

Nipple: N 006

Thread G1: G1/8-F

Overall length: 22.5 mm

Fitting length: 16 mm

Nominal size: 2.00 mm

Material: Aluminium



**SG 40 NBR-60 N006 K**

Part no. 10.01.01.00484

Flat suction cup (round)

Size: 40

Suction cup material:

Nitrile rubber NBR

Material hardness: 60 °Sh

Additional feature:

rounded sealing lip