

**Flat suction pad
(round) thin**
SGN 40 NBR-60 G1/8-AG K
Part no.: 10.01.01.00784

<https://www.schmalz.com/10.01.01.00784>



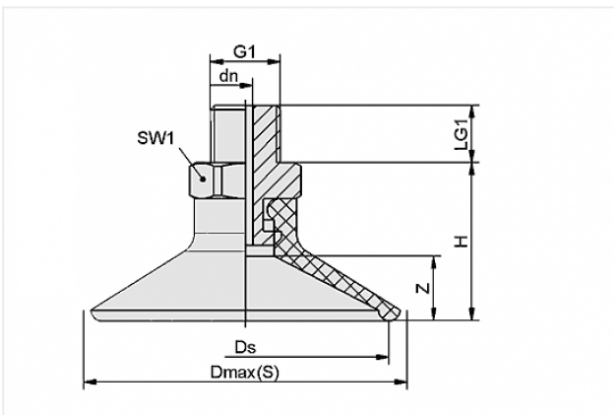
Homepage > Vacuum Technology for Automation > Vacuum Components > Vacuum Suction Cups > Suction Cups for Different Industries > Flat Suction Cups SGN > SGN 40 NBR-60 G1/8-AG K

Flat suction cup (round), gentle, crease-free handling of plastic film and paper



Size: 40
Suction cup material:
Nitrile rubber NBR
Material hardness: 60 °Sh
Nipple material: Aluminium
Vacuum connection: G1/8-M
Additional feature:
rounded sealing lip

Design Data



Attribute	Value
dn	2 mm
Dmax(S)	45.5 mm
Ds	40 mm
G1	G1/8"-M
H	22 mm
LG1	8 mm
SW1	14 mm
Z	9 mm

Technical Data

Contact to Schmalz

J. Schmalz GmbH | Johannes-Schmalz-Straße, 72293 Glatten, Deutschland | +49 7443 2403-102 | customercenter@schmalz.de

Attribute	Value
Suction force	45 N
Volume	5.42 cm ³
Curve radius (min) (convex)	45 mm
Internal hose diameter (recom.)	4 mm
Size	40
Suction cup material	Nitrile rubber NBR
Material hardness	60 °Sh
Weight	10.2 g

Note:

- Suction force: The specified suction forces are theoretical values at a vacuum of -0.6 bar and with a smooth, dry workpiece surface - they do not include a safety factor
- Hose diameter: The recommended hose diameter refers to a hose length of approx. 2 m

Spare Parts



SA-NIP N006 G1/8-AG DN200

Part no. 10.01.01.03530

Suction cup connection nipple

Nipple: N 006

Thread G1: G1/8-M

Overall length: 19.5 mm

Fitting length: 5 mm

Nominal size: 2.00 mm

Material: Aluminium



SG 40 NBR-60 N006 K

Part no. 10.01.01.00484

Flat suction cup (round)

Size: 40

Suction cup material:

Nitrile rubber NBR

Material hardness: 60 °Sh

Additional feature:

rounded sealing lip