

# Flat suction pad (round) smooth

## SGN 30 NBR-55 G1/8-AG

<https://www.schmalz.com/10.01.01.00202>



Part no.: 10.01.01.00202

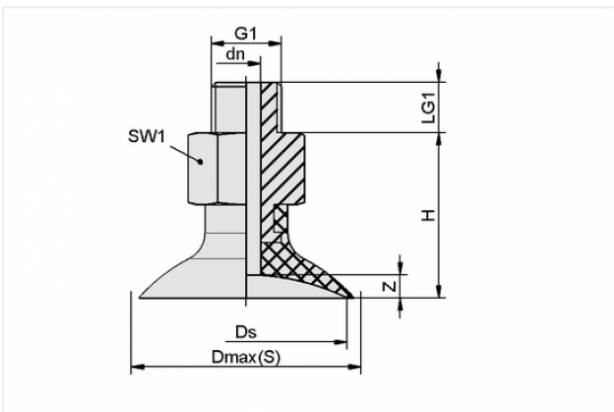
Homepage > Vacuum Technology for Automation > Vacuum Components > Vacuum Suction Cups > Suction Cups for Different Industries > Flat Suction Cups SGN > SGN 30 NBR-55 G1/8-AG

## Flat suction cup (round), dynamic handling of smooth workpieces



Size: 30  
Suction cup material:  
Nitrile rubber NBR  
Material hardness: 55 °Sh  
Nipple material: Aluminium  
Vacuum connection: G1/8-M

### Design Data



Attribute	Value
dn	4 mm
Dmax(S)	34 mm
Ds	30 mm
G1	G1/8"-M
H	23 mm
LG1	7 mm
SW1	14 mm
Z	3.6 mm

### Technical Data

#### Contact to Schmalz

J. Schmalz GmbH | Johannes-Schmalz-Straße, 72293 Glatten, Deutschland | +49 7443 2403-102 | [customercenter@schmalz.de](mailto:customercenter@schmalz.de)

Attribute	Value
Suction force	35 N
Volume	0.562 cm <sup>3</sup>
Curve radius (min) (convex)	40 mm
Internal hose diameter (recom.)	4 mm
Size	30
Suction cup material	Nitrile rubber NBR
Material hardness	55 °Sh
Weight	18.3 g

**Note:**

- Suction force: The specified suction forces are theoretical values at a vacuum of -0.6 bar and with a smooth, dry workpiece surface - they do not include a safety factor
  - Hose diameter: The recommended hose diameter refers to a hose length of approx. 2 m
- 
-