

Flat suction cup (round)

SG 25 SI-55 N027

Part no.: 10.01.01.00603

<https://www.schmalz.com/10.01.01.00603>



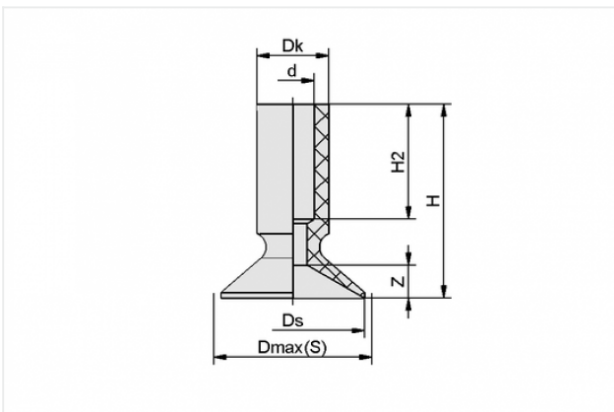
Homepage > Vacuum Technology for Automation > Vacuum Components > Vacuum Suction Cups > Suction Cups for Different Industries > SG 25 SI-55 N027

Flat suction cup (round)



Size: 25
Suction cup material: Silicone SI
Material hardness: 55 °Sh
Material characteristics:
FDA-compatible

Design Data



Attribute	Value
d	8 mm
Dk	12 mm
Dmax(S)	27 mm
Ds	25 mm
H	31 mm
H2	18 mm
Z	5 mm

Technical Data

Attribute	Value
Suction force	24 N

Contact to Schmalz

J. Schmalz GmbH | Johannes-Schmalz-Straße, 72293 Glatten, Deutschland | +49 7443 2403-102 | customercenter@schmalz.de

Attribute	Value
Volume	2.176 cm ³
Curve radius (min) (convex)	20 mm
Size	25
Suction cup material	Silicone SI
Material hardness	55 °Sh
Weight	2.7 g

Accessories



SA-NIP N027 G1/8-AG DN350

Part no. 10.01.01.00320

Suction cup connection nipple

Nipple: N 027

Thread G1: G1/8-M

Overall length: 27 mm

Fitting length: 3 mm

Nominal size: 3,50 mm

Material: Aluminium

Spanner size SW2: 4 mm