

**Flat suction pad
(round) thin**
SGN 25 NBR-60 G1/8-IG K
Part no.: 10.01.01.00206

<https://www.schmalz.com/10.01.01.00206>



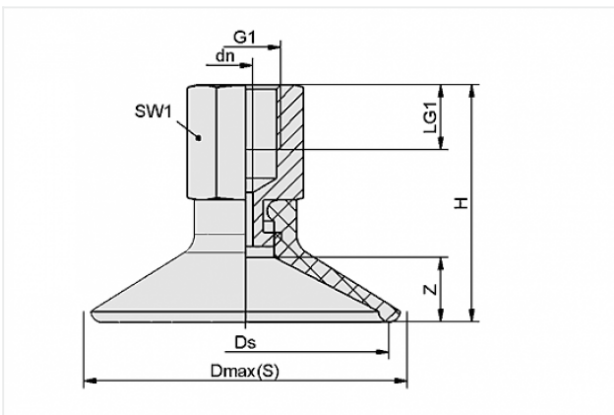
Homepage > Vacuum Technology for Automation > Vacuum Components > Vacuum Suction Cups > Suction Cups for Different Industries > Flat Suction Cups SGN > SGN 25 NBR-60 G1/8-IG K

Flat suction cup (round), gentle, crease-free handling of plastic film and paper



Size: 25
Suction cup material:
Nitrile rubber NBR
Material hardness: 60 °Sh
Nipple material: Aluminium
Vacuum connection: G1/8-F
Additional feature:
rounded sealing lip

Design Data



Attribute	Value
dn	2 mm
Dmax(S)	28.5 mm
Ds	25 mm
G1	G1/8"-F
H	32 mm
LG1	9 mm
SW1	14 mm
Z	6 mm

Technical Data

Contact to Schmalz

J. Schmalz GmbH | Johannes-Schmalz-Straße, 72293 Glatten, Deutschland | +49 7443 2403-102 | customercenter@schmalz.de

Attribute	Value
Suction force	10 N
Volume	2.021 cm ³
Curve radius (min) (convex)	20 mm
Internal hose diameter (recom.)	4 mm
Size	25
Suction cup material	Nitrile rubber NBR
Material hardness	60 °Sh
Weight	6 g

Note:

- Suction force: The specified suction forces are theoretical values at a vacuum of -0.6 bar and with a smooth, dry workpiece surface - they do not include a safety factor
- Hose diameter: The recommended hose diameter refers to a hose length of approx. 2 m

Spare Parts



SA-NIP N006 G1/8-IG DN200

Part no. 10.01.01.03522

Suction cup connection nipple

Nipple: N 006

Thread G1: G1/8-F

Overall length: 22.5 mm

Fitting length: 16 mm

Nominal size: 2.00 mm

Material: Aluminium



SG 25 NBR-60 N006 K

Part no. 10.01.01.00210

Flat suction cup (round)

Size: 25

Suction cup material:

Nitrile rubber NBR

Material hardness: 60 °Sh

Additional feature:

rounded sealing lip