

# Flat suction cup (round)

## SG 25 NBR-55 N027

Part no.: 10.01.01.00196

<https://www.schmalz.com/10.01.01.00196>



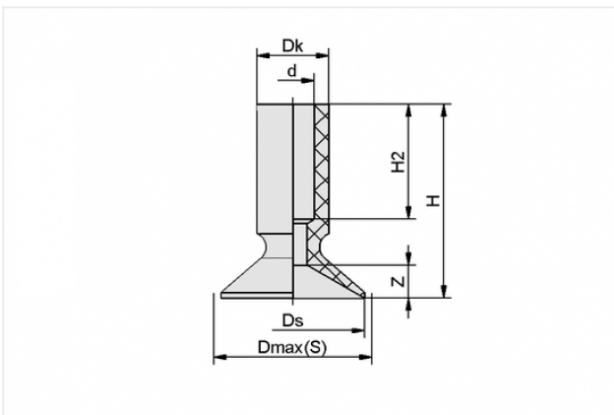
Homepage > Vacuum Technology for Automation > Vacuum Components > Vacuum Suction Cups > Suction Cups for Different Industries > SG 25 NBR-55 N027

## Flat suction cup (round)



Size: 25  
Suction cup material:  
Nitrile rubber NBR  
Material hardness: 55 °Sh

### Design Data



Attribute	Value
d	8 mm
Dk	12 mm
Dmax(S)	27 mm
Ds	25 mm
H	31 mm
H2	18 mm
Z	5 mm

### Technical Data

Attribute	Value
Suction force	24 N

### Contact to Schmalz

J. Schmalz GmbH | Johannes-Schmalz-Straße, 72293 Glatten, Deutschland | +49 7443 2403-102 | [customercenter@schmalz.de](mailto:customercenter@schmalz.de)

Attribute	Value
Volume	2.176 cm <sup>3</sup>
Curve radius (min) (convex)	20 mm
Size	25
Suction cup material	Nitrile rubber NBR
Material hardness	55 °Sh
Weight	2.8 g

## Accessories



### SA-NIP N027 G1/8-AG DN350

Part no. 10.01.01.00320

Suction cup connection nipple

Nipple: N 027

Thread G1: G1/8-M

Overall length: 27 mm

Fitting length: 3 mm

Nominal size: 3,50 mm

Material: Aluminium

Spanner size SW2: 4 mm