

Suction cup connection nipple

SA-NIP N027 G1/8-AG DN350

<https://www.schmalz.com/10.01.01.00320>



Part no.: 10.01.01.00320

Homepage > Vacuum Technology for Automation > Vacuum Components > Vacuum Suction Cups > Suction Cups for Different Industries > SA-NIP

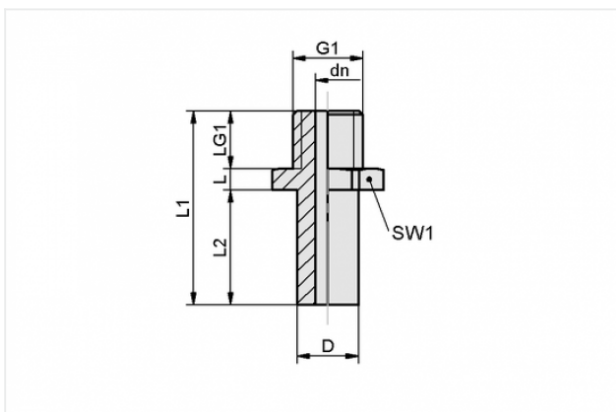
N027 G1/8-AG DN350

Suction cup connection nipple



Nipple: N 027
Thread G1: G1/8-M
Overall length: 27 mm
Fitting length: 3 mm
Nominal size: 3,50 mm
Material: Aluminium
Spanner size SW2: 4 mm

Design Data



Attribute	Value
-----------	-------

dn	3.5 mm
----	--------

D	8.5 mm
---	--------

G1	G1/8"-M
----	---------

L	3 mm
---	------

L1	27 mm
----	-------

L2	16 mm
----	-------

LG1	8 mm
-----	------

SW1	14 mm
-----	-------

SW2	4 mm
-----	------

Contact to Schmalz

J. Schmalz GmbH | Johannes-Schmalz-Straße, 72293 Glatten, Deutschland | +49 7443 2403-102 | customercenter@schmalz.de

Technical Data

Attribute	Value
Nipple	N 027
Material	Aluminium
Weight	4.6 g
