

# Flat suction pad (round) sensitive

## SGN 25 NBR-55 G1/8-AG

<https://www.schmalz.com/10.01.01.00200>



Part no.: 10.01.01.00200

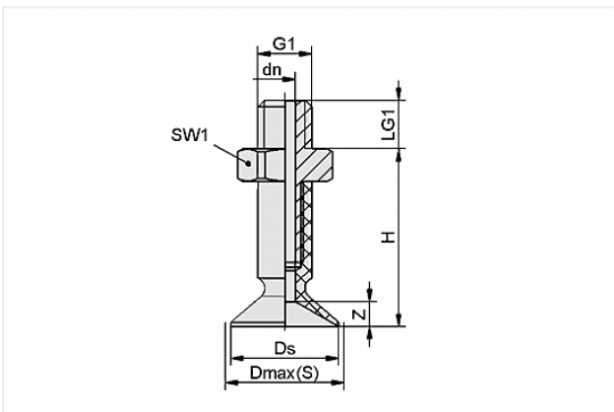
Homepage > Vacuum Technology for Automation > Vacuum Components > Vacuum Suction Cups > Suction Cups for Different Industries > Flat Suction Cups SGN > SGN 25 NBR-55 G1/8-AG

## Flat suction cup (round), handling sensitive workpieces with uneven surfaces



Size: 25  
Suction cup material:  
Nitrile rubber NBR  
Material hardness: 55 °Sh  
Nipple material: Aluminium  
Vacuum connection: G1/8-M

### Design Data



Attribute	Value
dn	3.5 mm
Dmax(S)	27 mm
Ds	25 mm
G1	G1/8"-M
H	35 mm
LG1	8 mm
SW1	14 mm
Z	5 mm

### Technical Data

#### Contact to Schmalz

J. Schmalz GmbH | Johannes-Schmalz-Straße, 72293 Glatten, Deutschland | +49 7443 2403-102 | [customercenter@schmalz.de](mailto:customercenter@schmalz.de)

Attribute	Value
Suction force	24 N
Volume	2.176 cm <sup>3</sup>
Curve radius (min) (convex)	20 mm
Internal hose diameter (recom.)	4 mm
Size	25
Suction cup material	Nitrile rubber NBR
Material hardness	55 °Sh
Weight	7.4 g

**Note:**

- Suction force: The specified suction forces are theoretical values at a vacuum of -0.6 bar and with a smooth, dry workpiece surface - they do not include a safety factor
- Hose diameter: The recommended hose diameter refers to a hose length of approx. 2 m

**Spare Parts**



**SA-NIP N027 G1/8-AG DN350**

Part no. 10.01.01.00320

Suction cup connection nipple

Nipple: N 027

Thread G1: G1/8-M

Overall length: 27 mm

Fitting length: 3 mm

Nominal size: 3,50 mm

Material: Aluminium

Spanner size SW2: 4 mm



**SG 25 NBR-55 N027**

Part no. 10.01.01.00196

Flat suction cup (round)

Size: 25

Suction cup material:

Nitrile rubber NBR

Material hardness: 55 °Sh