

# Flat suction pad (round) sensitive SGN 16 SI-55 M5-AG

Part no.: 10.01.01.10038

<https://www.schmalz.com/10.01.01.10038>



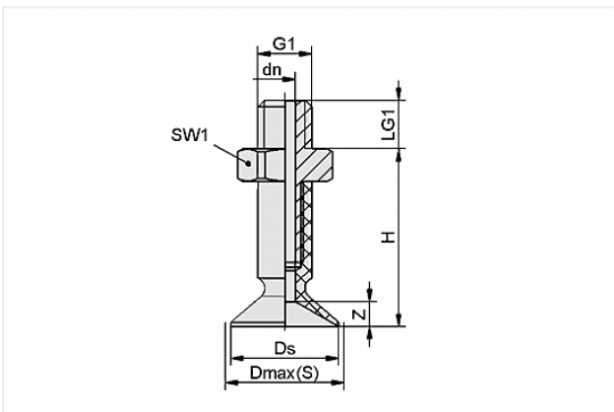
Homepage > Vacuum Technology for Automation > Vacuum Components > Vacuum Suction Cups > Suction Cups for Different Industries > Flat Suction Cups SGN > SGN 16 SI-55 M5-AG

## Flat suction cup (round), handling sensitive workpieces with uneven surfaces



Size: 16  
Suction cup material: Silicone SI  
Material hardness: 55 °Sh  
Material characteristics:  
FDA-compatible  
Nipple material: Aluminium  
Vacuum connection: M5-M

### Design Data



Attribute	Value
-----------	-------

dn	2 mm
Dmax(S)	17.5 mm
Ds	16 mm
G1	M5-M
H	23 mm
LG1	4.5 mm
SW1	8 mm
Z	4 mm

### Technical Data

#### Contact to Schmalz

J. Schmalz GmbH | Johannes-Schmalz-Straße, 72293 Glatten, Deutschland | +49 7443 2403-102 | [customercenter@schmalz.de](mailto:customercenter@schmalz.de)

Attribute	Value
Suction force	8 N
Volume	0.594 cm <sup>3</sup>
Curve radius (min) (convex)	15 mm
Internal hose diameter (recom.)	2 mm
Size	16
Suction cup material	Silicone SI
Material hardness	55 °Sh
Weight	1.7 g

**Note:**

- Suction force: The specified suction forces are theoretical values at a vacuum of -0.6 bar and with a smooth, dry workpiece surface - they do not include a safety factor
- Hose diameter: The recommended hose diameter refers to a hose length of approx. 2 m

**Spare Parts**



**SA-NIP N026 M5-AG DN200**

Part no. 10.01.01.00319

Suction cup connection nipple

Nipple: N 026

Thread G1: M5-M

Overall length: 17.5 mm

Fitting length: 3 mm

Nominal size: 2.00 mm

Material: Aluminium

Spanner size SW2: 3 mm



**SG 16 SI-55 N026**

Part no. 10.01.01.00602

Flat suction cup (round)

Size: 16

Suction cup material: Silicone SI

Material hardness: 55 °Sh

Material characteristics:

FDA-compatible