

Flat suction cup (round)

SG 16 NBR-55 N026

Part no.: 10.01.01.00195

<https://www.schmalz.com/10.01.01.00195>



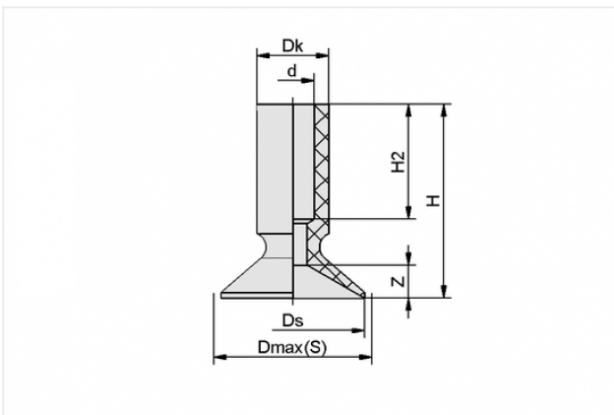
Homepage > Vacuum Technology for Automation > Vacuum Components > Vacuum Suction Cups > Suction Cups for Different Industries > SG 16 NBR-55 N026

Flat suction cup (round)



Size: 16
Suction cup material:
Nitrile rubber NBR
Material hardness: 55 °Sh

Design Data



Attribute	Value
-----------	-------

d	5 mm
Dk	8 mm
Dmax(S)	17.5 mm
Ds	16 mm
H	20 mm
H2	12 mm
Z	4 mm

Technical Data

Attribute	Value
Suction force	8 N

Contact to Schmalz

J. Schmalz GmbH | Johannes-Schmalz-Straße, 72293 Glatten, Deutschland | +49 7443 2403-102 | customercenter@schmalz.de

Attribute	Value
Volume	0.594 cm ³
Curve radius (min) (convex)	15 mm
Size	16
Suction cup material	Nitrile rubber NBR
Material hardness	55 °Sh
Weight	0.8 g

Accessories



SA-NIP N026 M5-AG DN200

Part no. 10.01.01.00319

Suction cup connection nipple

Nipple: N 026

Thread G1: M5-M

Overall length: 17.5 mm

Fitting length: 3 mm

Nominal size: 2.00 mm

Material: Aluminium

Spanner size SW2: 3 mm