

Suction cup connection nipple

SA-NIP N026 M5-AG DN200

Part no.: 10.01.01.00319

<https://www.schmalz.com/10.01.01.00319>



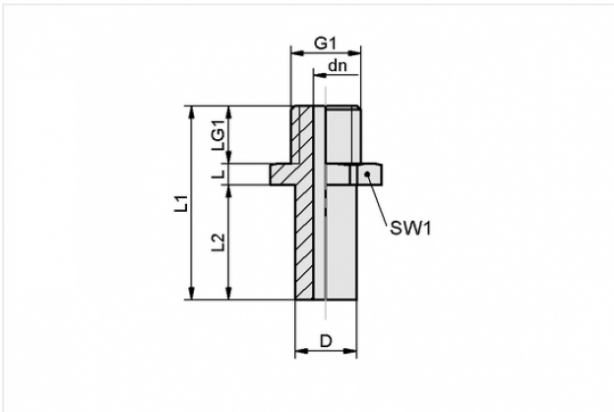
Homepage > Vacuum Technology for Automation > Vacuum Components > Vacuum Suction Cups > Suction Cups for Different Industries > SA-NIP N026 M5-AG DN200

Suction cup connection nipple



Nipple: N 026
Thread G1: M5-M
Overall length: 17.5 mm
Fitting length: 3 mm
Nominal size: 2.00 mm
Material: Aluminium
Spanner size SW2: 3 mm

Design Data



Attribute	Value
dn	2 mm
D	5.5 mm
G1	M5-M
L	3 mm
L1	17.5 mm
L2	10 mm
LG1	4.5 mm
SW1	8 mm
SW2	3 mm

Contact to Schmalz

J. Schmalz GmbH | Johannes-Schmalz-Straße, 72293 Glatten, Deutschland | +49 7443 2403-102 | customercenter@schmalz.de

Technical Data

Attribute	Value
Nipple	N 026
Material	Aluminium
Weight	1.2 g
