

Flat suction pad (round) sensitive

SGN 16 NBR-55 M5-AG

<https://www.schmalz.com/10.01.01.00199>



Part no.: 10.01.01.00199

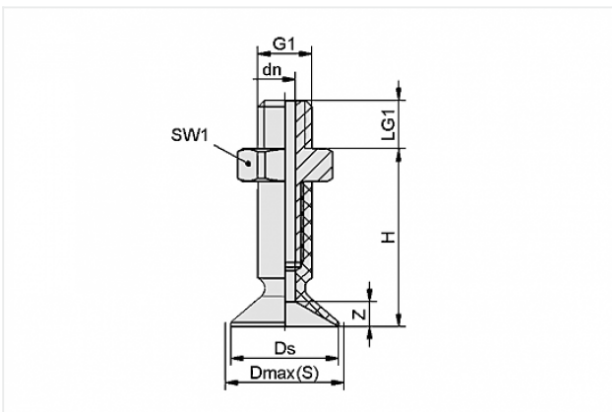
Homepage > Vacuum Technology for Automation > Vacuum Components > Vacuum Suction Cups > Suction Cups for Different Industries > Flat Suction Cups SGN > SGN 16 NBR-55 M5-AG

Flat suction cup (round), handling sensitive workpieces with uneven surfaces



Size: 16
Suction cup material:
Nitrile rubber NBR
Material hardness: 55 °Sh
Nipple material: Aluminium
Vacuum connection: M5-M

Design Data



| Attribute | Value |
|-----------|-------|
|-----------|-------|

| | |
|---------|---------|
| dn | 2 mm |
| Dmax(S) | 17.5 mm |
| Ds | 16 mm |
| G1 | M5-M |
| H | 23 mm |
| LG1 | 4.5 mm |
| SW1 | 8 mm |
| Z | 4 mm |

Technical Data

Contact to Schmalz

J. Schmalz GmbH | Johannes-Schmalz-Straße, 72293 Glatten, Deutschland | +49 7443 2403-102 | customercenter@schmalz.de

| Attribute | Value |
|---------------------------------|-----------------------|
| Suction force | 8 N |
| Volume | 0.594 cm ³ |
| Curve radius (min) (convex) | 15 mm |
| Internal hose diameter (recom.) | 2 mm |
| Size | 16 |
| Suction cup material | Nitrile rubber NBR |
| Material hardness | 55 °Sh |
| Weight | 1.7 g |

Note:

- Suction force: The specified suction forces are theoretical values at a vacuum of -0.6 bar and with a smooth, dry workpiece surface - they do not include a safety factor
- Hose diameter: The recommended hose diameter refers to a hose length of approx. 2 m

Spare Parts



SA-NIP N026 M5-AG DN200

Part no. 10.01.01.00319

Suction cup connection nipple

Nipple: N 026

Thread G1: M5-M

Overall length: 17.5 mm

Fitting length: 3 mm

Nominal size: 2.00 mm

Material: Aluminium

Spanner size SW2: 3 mm



SG 16 NBR-55 N026

Part no. 10.01.01.00195

Flat suction cup (round)

Size: 16

Suction cup material:

Nitrile rubber NBR

Material hardness: 55 °Sh