

Flat suction cup (round)

<https://www.schmalz.com/10.01.01.00601>



SG 10 SI-55 N025

Part no.: 10.01.01.00601

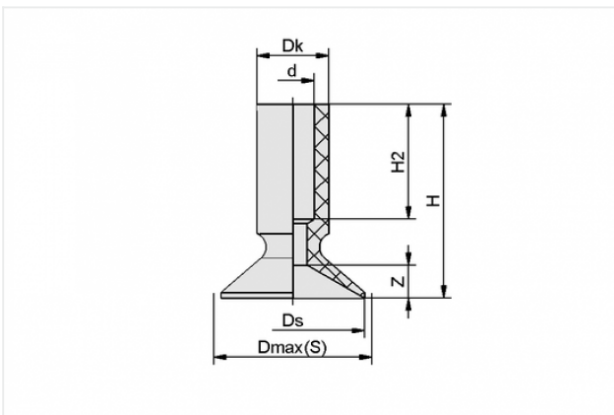
Homepage > Vacuum Technology for Automation > Vacuum Components > Vacuum Suction Cups > Suction Cups for Different Industries > SG 10 SI-55 N025

Flat suction cup (round)



Size: 10
Suction cup material: Silicone SI
Material hardness: 55 °Sh
Material characteristics:
FDA-compatible

Design Data



Attribute	Value
-----------	-------

d	3 mm
Dk	5 mm
Dmax(S)	11 mm
Ds	10 mm
H	13.5 mm
H2	8 mm
Z	2 mm

Technical Data

Attribute	Value
Suction force	4 N

Contact to Schmalz

J. Schmalz GmbH | Johannes-Schmalz-Straße, 72293 Glatten, Deutschland | +49 7443 2403-102 | customercenter@schmalz.de

Attribute	Value
Volume	0.141 cm ³
Curve radius (min) (convex)	10 mm
Size	10
Suction cup material	Silicone SI
Material hardness	55 °Sh
Weight	0.2 g

Accessories



SA-NIP N025 M5-AG DN200

Part no. 10.01.01.00318

Suction cup connection nipple

Nipple: N 025

Thread G1: M5-M

Overall length: 15 mm

Fitting length: 3 mm

Nominal size: 2.00 mm

Material: Aluminium