

Flat suction pad (round) sensitive SGN 10 SI-55 M5-AG

Part no.: 10.01.01.10037

<https://www.schmalz.com/10.01.01.10037>



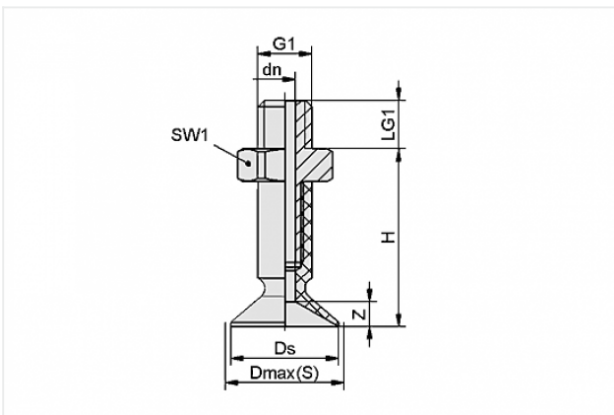
Homepage > Vacuum Technology for Automation > Vacuum Components > Vacuum Suction Cups > Suction Cups for Different Industries > Flat Suction Cups SGN > SGN 10 SI-55 M5-AG

Flat suction cup (round), handling sensitive workpieces with uneven surfaces



Size: 10
Suction cup material: Silicone SI
Material hardness: 55 °Sh
Material characteristics:
FDA-compatible
Nipple material: Aluminium
Vacuum connection: M5-M

Design Data



Attribute	Value
-----------	-------

dn	2 mm
Dmax(S)	11 mm
Ds	10 mm
G1	M5-M
H	16 mm
LG1	4.5 mm
SW1	8 mm
Z	2 mm

Technical Data

Contact to Schmalz

J. Schmalz GmbH | Johannes-Schmalz-Straße, 72293 Glatten, Deutschland | +49 7443 2403-102 | customercenter@schmalz.de

Attribute	Value
Suction force	4 N
Volume	0.141 cm ³
Curve radius (min) (convex)	10 mm
Internal hose diameter (recom.)	2 mm
Size	10
Suction cup material	Silicone SI
Material hardness	55 °Sh
Weight	0.9 g

Note:

- Suction force: The specified suction forces are theoretical values at a vacuum of -0.6 bar and with a smooth, dry workpiece surface - they do not include a safety factor
- Hose diameter: The recommended hose diameter refers to a hose length of approx. 2 m

Spare Parts



SA-NIP N025 M5-AG DN200

Part no. 10.01.01.00318

Suction cup connection nipple

Nipple: N 025

Thread G1: M5-M

Overall length: 15 mm

Fitting length: 3 mm

Nominal size: 2.00 mm

Material: Aluminium



SG 10 SI-55 N025

Part no. 10.01.01.00601

Flat suction cup (round)

Size: 10

Suction cup material: Silicone SI

Material hardness: 55 °Sh

Material characteristics:

FDA-compatible