

Suction cup connection nipple

SA-NIP N025 M5-AG DN200

<https://www.schmalz.com/10.01.01.00318>



Part no.: 10.01.01.00318

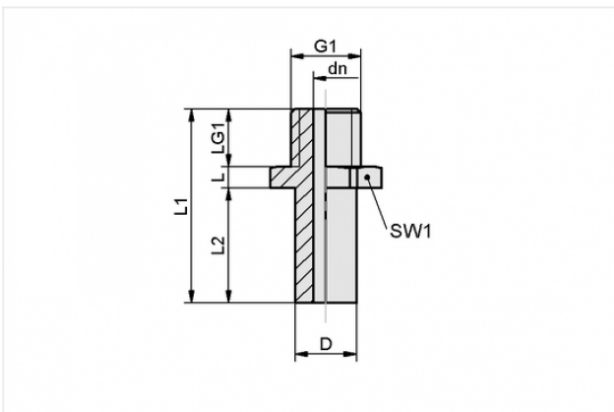
Homepage > Vacuum Technology for Automation > Vacuum Components > Vacuum Suction Cups > Suction Cups for Different Industries > SA-NIP N025 M5-AG DN200

Suction cup connection nipple



Nipple: N 025
Thread G1: M5-M
Overall length: 15 mm
Fitting length: 3 mm
Nominal size: 2.00 mm
Material: Aluminium

Design Data



Attribute	Value
dn	2 mm
D	3.4 mm
G1	M5-M
L	3 mm
L1	15 mm
L2	7.5 mm
LG1	4.5 mm
SW1	8 mm

Technical Data

Contact to Schmalz

J. Schmalz GmbH | Johannes-Schmalz-Straße, 72293 Glatten, Deutschland | +49 7443 2403-102 | customercenter@schmalz.de



Attribute	Value
Nipple	N 025
Material	Aluminium
Weight	0.7 g