

# Flat suction pad (round) sensitive

## SGN 10 NBR-55 M5-AG

<https://www.schmalz.com/10.01.01.00198>



Part no.: 10.01.01.00198

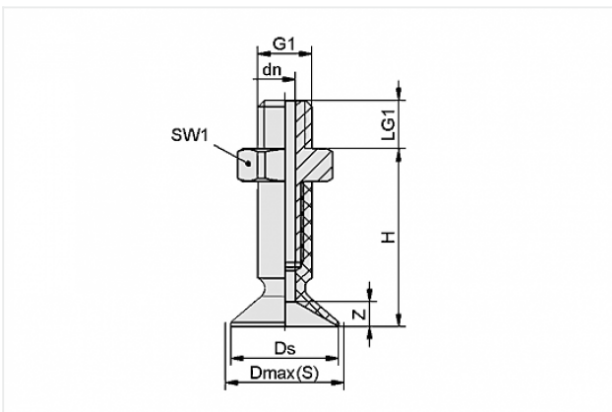
Homepage > Vacuum Technology for Automation > Vacuum Components > Vacuum Suction Cups > Suction Cups for Different Industries > Flat Suction Cups SGN > SGN 10 NBR-55 M5-AG

## Flat suction cup (round), handling sensitive workpieces with uneven surfaces



Size: 10  
Suction cup material:  
Nitrile rubber NBR  
Material hardness: 55 °Sh  
Nipple material: Aluminium  
Vacuum connection: M5-M

### Design Data



Attribute	Value
-----------	-------

dn	2 mm
Dmax(S)	11 mm
Ds	10 mm
G1	M5-M
H	16 mm
LG1	4.5 mm
SW1	8 mm
Z	2 mm

### Technical Data

#### Contact to Schmalz

J. Schmalz GmbH | Johannes-Schmalz-Straße, 72293 Glatten, Deutschland | +49 7443 2403-102 | [customercenter@schmalz.de](mailto:customercenter@schmalz.de)

Attribute	Value
Suction force	4 N
Volume	0.141 cm <sup>3</sup>
Curve radius (min) (convex)	10 mm
Internal hose diameter (recom.)	2 mm
Size	10
Suction cup material	Nitrile rubber NBR
Material hardness	55 °Sh
Weight	0.9 g

**Note:**

- Suction force: The specified suction forces are theoretical values at a vacuum of -0.6 bar and with a smooth, dry workpiece surface - they do not include a safety factor
- Hose diameter: The recommended hose diameter refers to a hose length of approx. 2 m

**Spare Parts**



**SA-NIP N025 M5-AG DN200**

Part no. 10.01.01.00318

Suction cup connection nipple

Nipple: N 025

Thread G1: M5-M

Overall length: 15 mm

Fitting length: 3 mm

Nominal size: 2.00 mm

Material: Aluminium



**SG 10 NBR-55 N025**

Part no. 10.01.01.00194

Flat suction cup (round)

Size: 10

Suction cup material:

Nitrile rubber NBR

Material hardness: 55 °Sh