

# Flat suction cup (round)

SG 6.3 SI-55 N024

Part no.: 10.01.01.00600

<https://www.schmalz.com/10.01.01.00600>



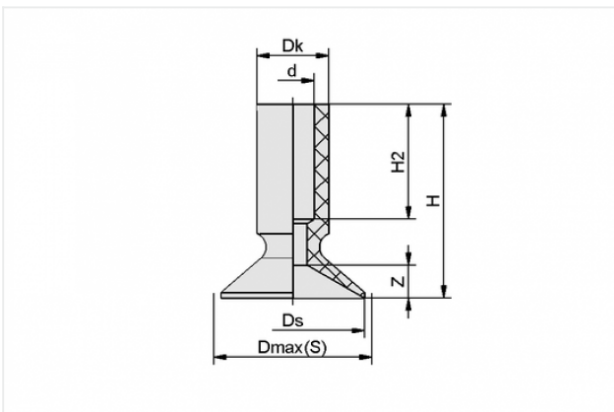
Homepage > Vacuum Technology for Automation > Vacuum Components > Vacuum Suction Cups > Suction Cups for Different Industries > SG 6.3 SI-55 N024

## Flat suction cup (round)



Size: 6.3  
Suction cup material: Silicone SI  
Material hardness: 55 °Sh  
Material characteristics:  
FDA-compatible

## Design Data



Attribute	Value
-----------	-------

d	2 mm
---	------

Dk	4 mm
----	------

Dmax(S)	7 mm
---------	------

Ds	6.3 mm
----	--------

H	12 mm
---	-------

H2	8.5 mm
----	--------

Z	1.5 mm
---	--------

## Technical Data

Attribute	Value
-----------	-------

Suction force	1.5 N
---------------	-------

### Contact to Schmalz

J. Schmalz GmbH | Johannes-Schmalz-Straße, 72293 Glatten, Deutschland | +49 7443 2403-102 | [customercenter@schmalz.de](mailto:customercenter@schmalz.de)

Attribute	Value
Volume	0.047 cm <sup>3</sup>
Curve radius (min) (convex)	7.5 mm
Size	6.3
Suction cup material	Silicone SI
Material hardness	55 °Sh
Weight	0.1 g

## Accessories



### **SA-NIP N024 M5-AG DN100**

Part no. 10.01.01.00317

Suction cup connection nipple

Nipple: N 024

Thread G1: M5-M

Overall length: 15 mm

Fitting length: 3 mm

Nominal size: 1.00 mm

Material: Aluminium