

Suction cup connection nipple

SA-NIP N024 M5-AG DN100

<https://www.schmalz.com/10.01.01.00317>



Part no.: 10.01.01.00317

Homepage > Vacuum Technology for Automation > Vacuum Components > Vacuum Suction Cups > Suction Cups for Different Industries > SA-NIP

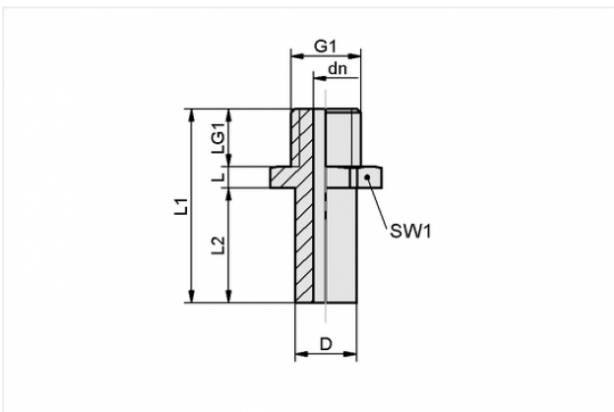
N024 M5-AG DN100

Suction cup connection nipple



Nipple: N 024
Thread G1: M5-M
Overall length: 15 mm
Fitting length: 3 mm
Nominal size: 1.00 mm
Material: Aluminium

Design Data



Attribute	Value
-----------	-------

dn	1 mm
D	2.4 mm
G1	M5-M
L	3 mm
L1	15 mm
L2	7.5 mm
LG1	4.5 mm
SW1	8 mm

Technical Data

Contact to Schmalz

J. Schmalz GmbH | Johannes-Schmalz-Straße, 72293 Glatten, Deutschland | +49 7443 2403-102 | customercenter@schmalz.de

Attribute	Value
Nipple	N 024
Material	Aluminium
Weight	0.6 g

Accessories



SG 6.3 NBR-55 N024

Part no. 10.01.01.00193

Flat suction cup (round)

Size: 6.3

Suction cup material:

Nitrile rubber NBR

Material hardness: 55 °Sh



SG 6.3 SI-55 N024

Part no. 10.01.01.00600

Flat suction cup (round)

Size: 6.3

Suction cup material: Silicone SI

Material hardness: 55 °Sh

Material characteristics:

FDA-compatible