

Flat suction pad (round) sensitive

SGN 6.3 NBR-55 M5-AG

Part no.: 10.01.01.00197

<https://www.schmalz.com/10.01.01.00197>



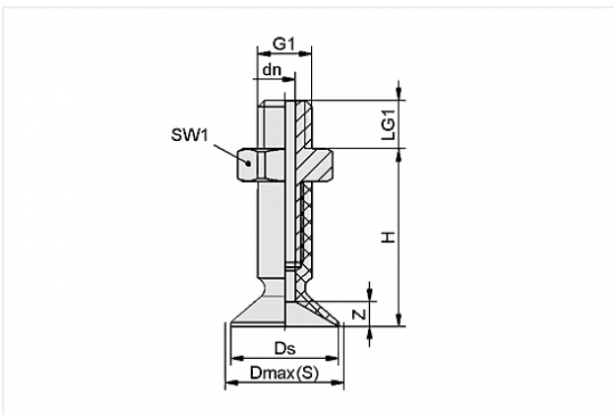
Homepage > Vacuum Technology for Automation > Vacuum Components > Vacuum Suction Cups > Suction Cups for Different Industries > Flat Suction Cups SGN > SGN 6.3 NBR-55 M5-AG

Flat suction cup (round), handling sensitive workpieces with uneven surfaces



Size: 6.3
 Suction cup material:
 Nitrile rubber NBR
 Material hardness: 55 °Sh
 Nipple material: Aluminium
 Vacuum connection: M5-M

Design Data



Attribute	Value
dn	1 mm
Dmax(S)	7 mm
Ds	6.3 mm
G1	M5-M
H	15 mm
LG1	4.5 mm
SW1	8 mm
Z	1.5 mm

Technical Data

Contact to Schmalz

J. Schmalz GmbH | Johannes-Schmalz-Straße, 72293 Glatten, Deutschland | +49 7443 2403-102 | customercenter@schmalz.de

Attribute	Value
Suction force	1.5 N
Volume	0.047 cm ³
Curve radius (min) (convex)	7.5 mm
Internal hose diameter (recom.)	2 mm
Size	6.3
Suction cup material	Nitrile rubber NBR
Material hardness	55 °Sh
Weight	0.8 g

Note:

- Suction force: The specified suction forces are theoretical values at a vacuum of -0.6 bar and with a smooth, dry workpiece surface - they do not include a safety factor
- Hose diameter: The recommended hose diameter refers to a hose length of approx. 2 m

Spare Parts



SA-NIP N024 M5-AG DN100

Part no. 10.01.01.00317

Suction cup connection nipple

Nipple: N 024

Thread G1: M5-M

Overall length: 15 mm

Fitting length: 3 mm

Nominal size: 1.00 mm

Material: Aluminium



SG 6.3 NBR-55 N024

Part no. 10.01.01.00193

Flat suction cup (round)

Size: 6.3

Suction cup material:

Nitrile rubber NBR

Material hardness: 55 °Sh