

Silencer (round)

SD G3/8-AG 40x80 SCG

Part no.: 10.01.30.00352

<https://www.schmalz.com/10.01.30.00352>



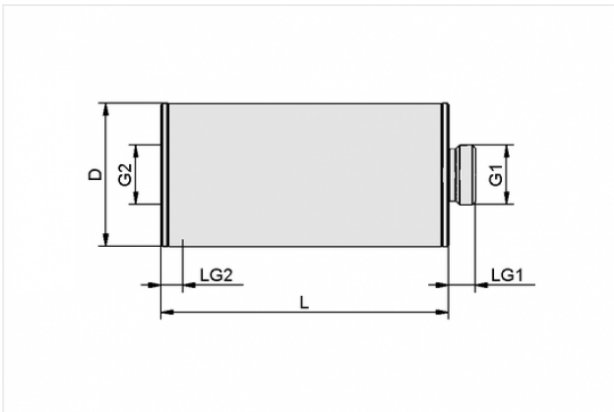
Homepage > Vacuum Technology for Automation > Vacuum Components > Special Grippers > Flow Grippers > SD G3/8-AG 40x80 SCG

Silencer for vacuum generators



Thread 1: G3/8-M
External diameter: 40 mm
Length: 80 mm
for: Composite gripper

Design Data



Attribute	Value
D	40 mm
G1	G3/8"-M
G2	G3/8"-F
L	80 mm
LG1	7.5 mm
LG2	6 mm

Technical Data

Attribute	Value
Weight	94.5 g

Contact to Schmalz

J. Schmalz GmbH | Johannes-Schmalz-Straße, 72293 Glatten, Deutschland | +49 7443 2403-102 | customercenter@schmalz.de

