

Vacuum hose

VSL 21-12 PVC-G

Part no.: 10.07.09.00006

<https://www.schmalz.com/10.07.09.00006>



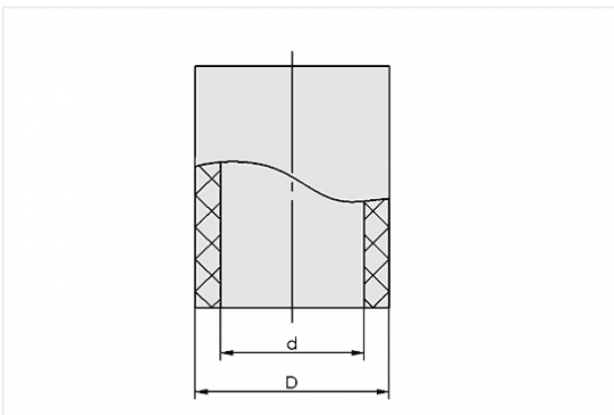
Homepage > Vacuum Clamping Technology > Clamping Solutions for Metal and Plastic Processing > Accessories and Spare Parts > VSL 21-12 PVC-G

Hose for vacuum and compressed-air systems



External diameter D: 21 mm
Internal diameter d: 12 mm
Length (max): 50 m
Material: PVC, with textile layer
Installation radius (min): 80 mm
Pressure range (operating pressure):
-0.95 ... 10.00 bar
Ambient temperature: -20 ... 70 °C

Design Data



Attribute	Value
d	12 mm
D	21 mm

Technical Data

Attribute	Value
Material	PVC, with textile layer
Pressure range (operating pressure)	-0.95 ... 10.00 bar

Contact to Schmalz

J. Schmalz GmbH | Johannes-Schmalz-Straße, 72293 Glatten, Deutschland | +49 7443 2403-102 | customercenter@schmalz.de

Attribute	Value
Ambient temperature	-20 ... 70 °C
Installation radius (min)	80 mm
Length (max)	50 m
Weight/Meter	297 g/m
Weight/Meter	0.297 kg/m

Accessories



SSB 16-27 ST-VZ

Part no. 10.07.10.00002

Hose clamp for securing smooth hoses

Clamping range: 16.0 ... 27.0 mm

Material: Steel galvanised



SSB 20-32 ST-VZ

Part no. 10.07.10.00003

Hose clamp for securing smooth hoses

Clamping range: 20.0 ... 32.0 mm

Material: Steel galvanised



ST G1/4-AG 12 MS-V

Part no. 10.08.03.00158

Hose sleeve

Thread 1: G1/4-M

Internal hose diameter: 12 mm

Material: Brass

Surface: nickel plated



ST G3/8-AG 12 MS-V

Part no. 10.08.03.00160

Hose sleeve

Thread 1: G3/8-M

Internal hose diameter: 12 mm

Material: Brass

Surface: nickel plated



ST G1/2-AG 12 MS-V

Part no. 10.08.03.00162

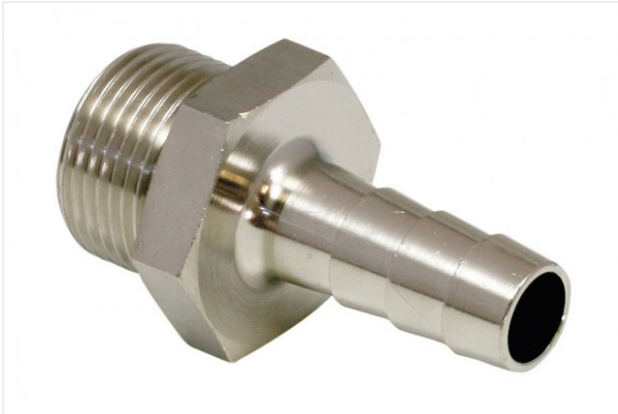
Hose sleeve

Thread 1: G1/2-M

Internal hose diameter: 12 mm

Material: Brass

Surface: nickel plated



ST G3/4-AG 12 MS-V

Part no. 10.08.03.00164

Hose sleeve

Thread 1: G3/4-M

Internal hose diameter: 12 mm

Material: Brass

Surface: nickel plated