

Vacuum hose

VSL 18-12 PVC-DS

<https://www.schmalz.com/10.07.09.00016>



Part no.: 10.07.09.00016

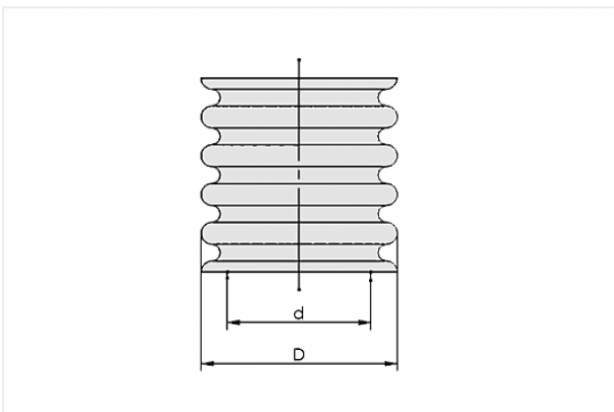
Homepage > Vacuum Technology for Automation > Vacuum Components > Filters and Connections > Hoses and Connectors > Vacuum /
Compressed-Air Hoses VSL > VSL 18-12 PVC-DS

Hose for vacuum and compressed-air systems



External diameter D: 18 mm
Internal diameter d: 12 mm
Length (max): 30 m
Material: PVC, with wire spiral
Installation radius (min): 85 mm
Pressure range (operating pressure):
-0.90 ... 5.00 bar
Ambient temperature: -20 ... 70 °C

Design Data



Attribute	Value
d	12 mm
D	18 mm

Technical Data

Attribute	Value
Material	PVC, with wire spiral
Pressure range (operating pressure)	-0.90 ... 5.00 bar

Contact to Schmalz

J. Schmalz GmbH | Johannes-Schmalz-Straße, 72293 Glatten, Deutschland | +49 7443 2403-102 |
customercenter@schmalz.de

Attribute	Value
Ambient temperature	-20 ... 70 °C
Installation radius (min)	85 mm
Length (max)	30 m
Weight/Meter	190 g/m
Weight/Meter	0.19 kg/m

Note:

- Operating pressure: In reference to media and ambient temperature of + 20°C
- Bending radius: Referred to the inner side of the hose bend in a static state
- Max. length: Please indicate the tube length when placing the order!

Accessories



SSB 16-27 ST-VZ

Part no. 10.07.10.00002

Hose clamp for securing smooth hoses

Clamping range: 16.0 ... 27.0 mm

Material: Steel galvanised



ST G1/4-AG 12 MS-V

Part no. 10.08.03.00158

Hose sleeve

Thread 1: G1/4-M

Internal hose diameter: 12 mm

Material: Brass

Surface: nickel plated



ST G3/8-AG 12 MS-V

Part no. 10.08.03.00160

Hose sleeve

Thread 1: G3/8-M

Internal hose diameter: 12 mm

Material: Brass

Surface: nickel plated



ST G1/2-AG 12 MS-V

Part no. 10.08.03.00162

Hose sleeve

Thread 1: G1/2-M

Internal hose diameter: 12 mm

Material: Brass

Surface: nickel plated



ST G3/4-AG 12 MS-V

Part no. 10.08.03.00164

Hose sleeve

Thread 1: G3/4-M

Internal hose diameter: 12 mm

Material: Brass

Surface: nickel plated