

Hose clamp

SSB 16-27 ST-VZ

Part no.: 10.07.10.00002

<https://www.schmalz.com/10.07.10.00002>



Homepage > Vacuum Technology for Automation > Vacuum Components > Filters and Connections > Hoses and Connectors > Hose Clamps SSB / SSD > SSB 16-27 ST-VZ

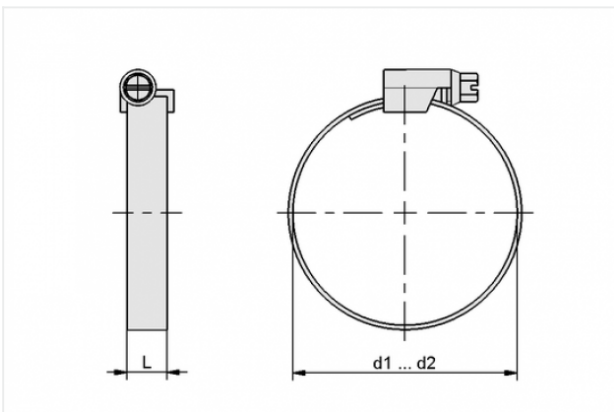
Hose clamp for securing smooth hoses



Clamping range: 16.0 ... 27.0 mm

Material: Steel galvanised

Design Data



Attribute	Value
-----------	-------

d1	16 mm
----	-------

d2	27 mm
----	-------

L	9 mm
---	------

Technical Data

Attribute	Value
-----------	-------

Material	Steel galvanised
----------	------------------

Weight	14 g
--------	------

Contact to Schmalz

J. Schmalz GmbH | Johannes-Schmalz-Straße, 72293 Glatten, Deutschland | +49 7443 2403-102 | customercenter@schmalz.de

Accessories



VSL 18-12 PVC-DS

Part no. 10.07.09.00016

Hose for vacuum and compressed-air systems

External diameter D: 18 mm

Internal diameter d: 12 mm

Length (max): 30 m

Material: PVC, with wire spiral

Installation radius (min): 85 mm

Pressure range (operating pressure):

-0.90 ... 5.00 bar

Ambient temperature: -20 ... 70 °C



VSL 21-12 PVC-G

Part no. 10.07.09.00006

Hose for vacuum and compressed-air systems

External diameter D: 21 mm

Internal diameter d: 12 mm

Length (max): 50 m

Material: PVC, with textile layer

Installation radius (min): 80 mm

Pressure range (operating pressure):

-0.95 ... 10.00 bar

Ambient temperature: -20 ... 70 °C



VSL 26-19 PVC-DS

Part no. 10.07.09.00007

Hose for vacuum and compressed-air systems

External diameter D: 26 mm

Internal diameter d: 19 mm

Length (max): 50 m

Material: PVC, with wire spiral

Installation radius (min): 85 mm

Pressure range (operating pressure):

-0.90 ... 5.00 bar

Ambient temperature: -20 ... 70 °C