

Flat suction cup (round)

FLSA 40 NBR-AS-55

Part no.: 10.01.06.03936

<https://www.schmalz.com/10.01.06.03936>



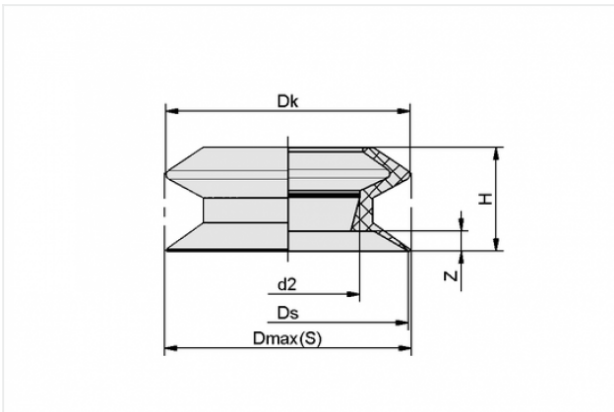
Homepage > Vacuum Technology for Automation > Vacuum Components > Special Grippers > Flow Grippers > FLSA 40 NBR-AS-55

Flat suction cup (round)



Size: 40
Suction cup material:
Nitrile rubber NBR-antistat
Material hardness: 55 °Sh

Design Data



| Attribute | Value |
|-----------|---------|
| d2 | 23 mm |
| Dk | 41 mm |
| Ds | 40.5 mm |
| H | 18.5 mm |
| Z | 3.7 mm |

Technical Data

| Attribute | Value |
|----------------------|-----------------------------|
| Number of folds | 0 |
| Suction cup material | Nitrile rubber NBR-antistat |
| Material hardness | 55 °Sh |

Contact to Schmalz

J. Schmalz GmbH | Johannes-Schmalz-Straße, 72293 Glatten, Deutschland | +49 7443 2403-102 | customercenter@schmalz.de



[Contact to Schmalz](#)

J. Schmalz GmbH | Johannes-Schmalz-Straße, 72293 Glatten, Deutschland | +49 7443 2403-102 |
customercenter@schmalz.de