

# Suction pad (round)

## SAUG-SCG 40 NBR-AS-55

<https://www.schmalz.com/10.01.30.00718>



Part no.: 10.01.30.00718

Homepage > Vacuum Technology for Automation > Vacuum Components > Special Grippers > Flow Grippers > Suction Cups for Flow Grippers

SCG > SAUG-SCG 40 NBR-AS-55

### Flat suction cup (round)



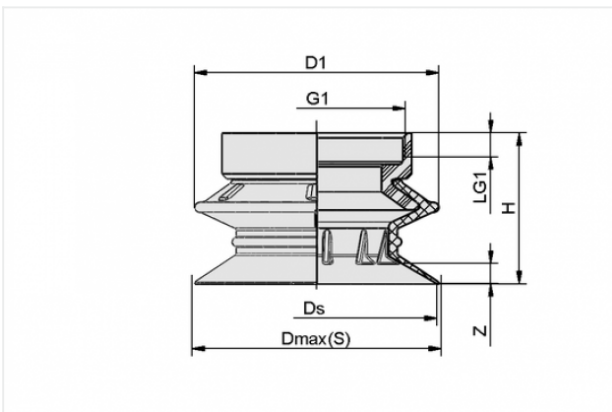
Size: 40

Suction cup material:

Nitrile rubber NBR-antistat

Material hardness: 55 °Sh

### Design Data



Attribute	Value
-----------	-------

D1	41 mm
----	-------

Dmax(S)	41.5 mm
---------	---------

Ds	40.5 mm
----	---------

G1	M37x1-F
----	---------

H	27.8 mm
---	---------

LG1	5 mm
-----	------

Z	3.7 mm
---	--------

### Technical Data

Attribute	Value
-----------	-------

Size	40
------	----

### Contact to Schmalz

J. Schmalz GmbH | Johannes-Schmalz-Straße, 72293 Glatten, Deutschland | +49 7443 2403-102 | [customercenter@schmalz.de](mailto:customercenter@schmalz.de)

Attribute	Value
Number of folds	0
Suction cup material	Nitrile rubber NBR-antistat
Material hardness	55 °Sh
Weight	21.2 g

## Spare Parts



### FLSA 40 NBR-AS-55

Part no. 10.01.06.03936

Flat suction cup (round)

Size: 40

Suction cup material:

Nitrile rubber NBR-antistat

Material hardness: 55 °Sh

## Accessories



### SCG 1xE100 A MA

Part no. 10.01.30.00092

Flow Grippers for handling sensitive components

Number of ejectors: 1

Performance class: E100

with: Blow-off function

Mounting: Assembly axially



**SCG 1xE100 A MS**

Part no. 10.01.30.00170

Flow Grippers for handling sensitive components

Number of ejectors: 1

Performance class: E100

with: Blow-off function

Mounting: Assembly laterally



**SCG 1xE100 A MA SDA**

Part no. 10.01.30.00359

Flow Grippers for handling sensitive components

Number of ejectors: 1

Performance class: E100

with: Blow-off function

Mounting: Assembly axially

with: Axial silencer



**SCG 1xE100 A MS SDA**

Part no. 10.01.30.00360

Flow Grippers for handling sensitive components

Number of ejectors: 1

Performance class: E100

with: Blow-off function

Mounting: Assembly laterally

with: Axial silencer