

Flat suction cup (round)

FLSA 30 NBR-AS-55

Part no.: 10.01.06.03935

<https://www.schmalz.com/10.01.06.03935>



Homepage > Vacuum Technology for Automation > Vacuum Components > Special Grippers > Flow Grippers > FLSA 30 NBR-AS-55

Flat suction cup (round)



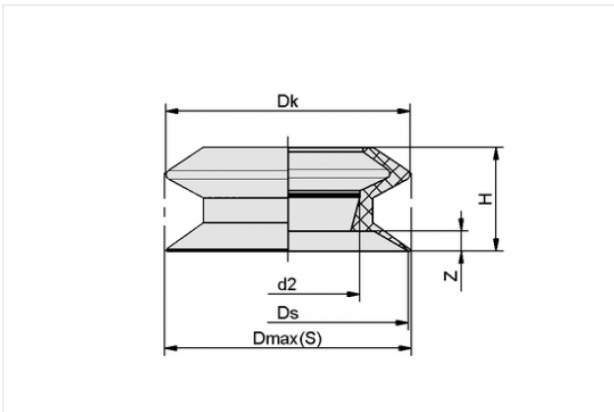
Size: 30

Suction cup material:

Nitrile rubber NBR-antistat

Material hardness: 55 °Sh

Design Data



Attribute	Value
-----------	-------

d2	17 mm
----	-------

Dk	31 mm
----	-------

Ds	30.2 mm
----	---------

H	14.5 mm
---	---------

Z	2.8 mm
---	--------

Technical Data

Attribute	Value
-----------	-------

Number of folds	0
-----------------	---

Suction cup material	Nitrile rubber NBR-antistat
----------------------	-----------------------------

Material hardness	55 °Sh
-------------------	--------

Contact to Schmalz

J. Schmalz GmbH | Johannes-Schmalz-Straße, 72293 Glatten, Deutschland | +49 7443 2403-102 | customercenter@schmalz.de



[Contact to Schmalz](#)

J. Schmalz GmbH | Johannes-Schmalz-Straße, 72293 Glatten, Deutschland | +49 7443 2403-102 |
customercenter@schmalz.de