

Suction pad (round)

SAUG-SCG 30 NBR-AS-55

<https://www.schmalz.com/10.01.30.00717>



Part no.: 10.01.30.00717

Homepage > Vacuum Technology for Automation > Vacuum Components > Special Grippers > Flow Grippers > Suction Cups for Flow Grippers

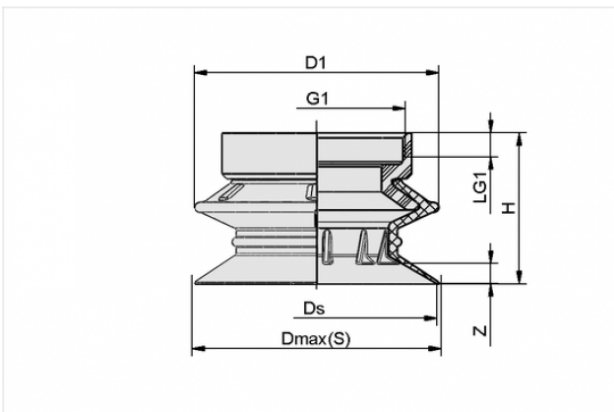
SCG > SAUG-SCG 30 NBR-AS-55

Flat suction cup (round)



Size: 30
Suction cup material:
Nitrile rubber NBR-antistat
Material hardness: 55 °Sh

Design Data



Attribute	Value
-----------	-------

D1	31 mm
Dmax(S)	31.5 mm
Ds	30.2 mm
G1	M37x1-F
H	24.1 mm
LG1	5 mm
Z	2.8 mm

Technical Data

Attribute	Value
Size	30

Contact to Schmalz

J. Schmalz GmbH | Johannes-Schmalz-Straße, 72293 Glatten, Deutschland | +49 7443 2403-102 | customercenter@schmalz.de

Attribute	Value
Number of folds	0
Suction cup material	Nitrile rubber NBR-antistat
Material hardness	55 °Sh
Weight	18.1 g

Spare Parts



FLSA 30 NBR-AS-55

Part no. 10.01.06.03935

Flat suction cup (round)

Size: 30

Suction cup material:

Nitrile rubber NBR-antistat

Material hardness: 55 °Sh

Accessories



SCG 1xE100 A MA

Part no. 10.01.30.00092

Flow Grippers for handling sensitive components

Number of ejectors: 1

Performance class: E100

with: Blow-off function

Mounting: Assembly axially



SCG 1xE100 A MS

Part no. 10.01.30.00170

Flow Grippers for handling sensitive components

Number of ejectors: 1

Performance class: E100

with: Blow-off function

Mounting: Assembly laterally



SCG 1xE100 A MA SDA

Part no. 10.01.30.00359

Flow Grippers for handling sensitive components

Number of ejectors: 1

Performance class: E100

with: Blow-off function

Mounting: Assembly axially

with: Axial silencer



SCG 1xE100 A MS SDA

Part no. 10.01.30.00360

Flow Grippers for handling sensitive components

Number of ejectors: 1

Performance class: E100

with: Blow-off function

Mounting: Assembly laterally

with: Axial silencer