

# Suction pad (round)

## SAUG-SCG 20 NBR-AS-55

<https://www.schmalz.com/10.01.30.00716>



Part no.: 10.01.30.00716

Homepage > Vacuum Technology for Automation > Vacuum Components > Special Grippers > Flow Grippers > Suction Cups for Flow Grippers

SCG > SAUG-SCG 20 NBR-AS-55

## Flat suction cup (round)



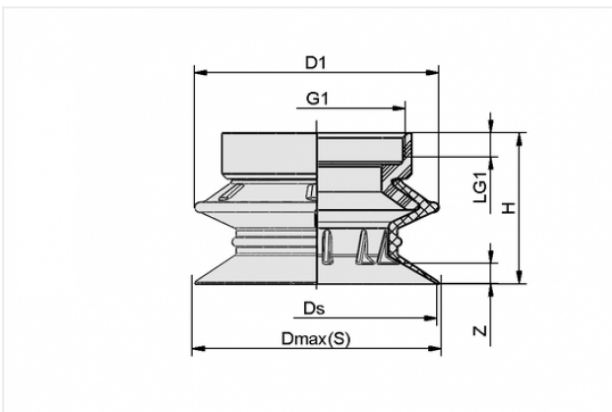
Size: 20

Suction cup material:

Nitrile rubber NBR-antistat

Material hardness: 55 °Sh

## Design Data



Attribute	Value
-----------	-------

D1	22 mm
----	-------

Dmax(S)	23 mm
---------	-------

Ds	21.4 mm
----	---------

G1	M37x1-F
----	---------

H	19.6 mm
---	---------

LG1	5 mm
-----	------

Z	1.5 mm
---	--------

## Technical Data

Attribute	Value
-----------	-------

Size	20
------	----

### Contact to Schmalz

J. Schmalz GmbH | Johannes-Schmalz-Straße, 72293 Glatten, Deutschland | +49 7443 2403-102 | [customercenter@schmalz.de](mailto:customercenter@schmalz.de)

Attribute	Value
Number of folds	0
Suction cup material	Nitrile rubber NBR-antistat
Material hardness	55 °Sh
Weight	15.9 g

## Spare Parts



### FLSA 20 NBR-AS-55

Part no. 10.01.06.03934

Flat suction cup (round)

Size: 20

Suction cup material:

Nitrile rubber NBR-antistat

Material hardness: 55 °Sh

## Accessories



### SCG 1xE100 A MA

Part no. 10.01.30.00092

Flow Grippers for handling sensitive components

Number of ejectors: 1

Performance class: E100

with: Blow-off function

Mounting: Assembly axially



**SCG 1xE100 A MS**

Part no. 10.01.30.00170

Flow Grippers for handling sensitive components

Number of ejectors: 1

Performance class: E100

with: Blow-off function

Mounting: Assembly laterally



**SCG 1xE100 A MA SDA**

Part no. 10.01.30.00359

Flow Grippers for handling sensitive components

Number of ejectors: 1

Performance class: E100

with: Blow-off function

Mounting: Assembly axially

with: Axial silencer



**SCG 1xE100 A MS SDA**

Part no. 10.01.30.00360

Flow Grippers for handling sensitive components

Number of ejectors: 1

Performance class: E100

with: Blow-off function

Mounting: Assembly laterally

with: Axial silencer