

# Flat suction cup (round)

FLSA 50 SI-HD

Part no.: 10.01.06.03467

<https://www.schmalz.com/10.01.06.03467>



Homepage > Vacuum Technology for Automation > Vacuum Components > Special Grippers > Flow Grippers > FLSA 50 SI-HD

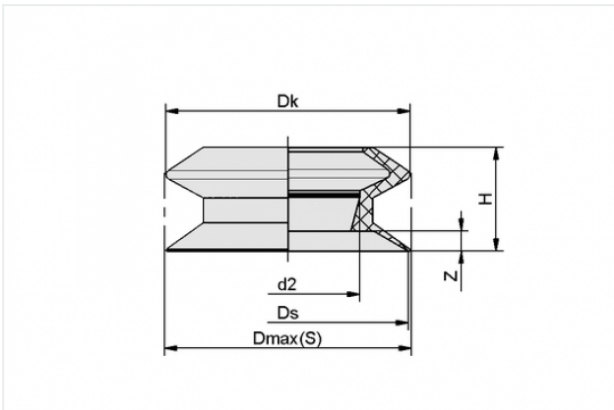
## Flat suction cup (round)



Size: 50

Suction cup material: Silicone SI-HD

## Design Data



Attribute	Value
d2	30 mm
Dk	51 mm
Ds	50.3 mm
H	22 mm
Z	4.2 mm

## Technical Data

Attribute	Value
Number of folds	0
Suction cup material	Silicone SI-HD

## Contact to Schmalz

J. Schmalz GmbH | Johannes-Schmalz-Straße, 72293 Glatten, Deutschland | +49 7443 2403-102 | [customercenter@schmalz.de](mailto:customercenter@schmalz.de)



---

#### Contact to Schmalz

J. Schmalz GmbH | Johannes-Schmalz-Straße, 72293 Glatten, Deutschland | +49 7443 2403-102 |  
customercenter@schmalz.de