

# Flat suction cup (round)

FLSA 40 SI-HD

Part no.: 10.01.06.03886

<https://www.schmalz.com/10.01.06.03886>



Homepage > Vacuum Technology for Automation > Vacuum Components > Special Grippers > Flow Grippers > FLSA 40 SI-HD

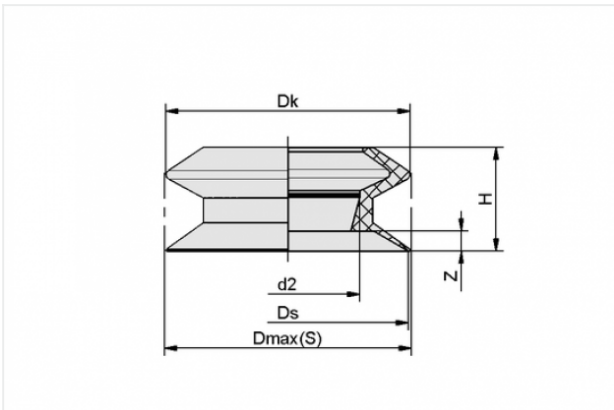
## Flat suction cup (round)



Size: 40

Suction cup material: Silicone SI-HD

## Design Data



Attribute	Value
-----------	-------

d2	23 mm
----	-------

Dk	41 mm
----	-------

Ds	40.5 mm
----	---------

H	18.5 mm
---	---------

Z	3.7 mm
---	--------

## Technical Data

Attribute	Value
-----------	-------

Number of folds	0
-----------------	---

Suction cup material	Silicone SI-HD
----------------------	----------------

## Contact to Schmalz

J. Schmalz GmbH | Johannes-Schmalz-Straße, 72293 Glatten, Deutschland | +49 7443 2403-102 | [customercenter@schmalz.de](mailto:customercenter@schmalz.de)



---

### Contact to Schmalz

J. Schmalz GmbH | Johannes-Schmalz-Straße, 72293 Glatten, Deutschland | +49 7443 2403-102 |  
customercenter@schmalz.de