

Suction pad (round)

SAUG-SCG 40 SI-HD

<https://www.schmalz.com/10.01.30.00660>



Part no.: 10.01.30.00660

Homepage > Vacuum Technology for Automation > Vacuum Components > Special Grippers > Flow Grippers > Suction Cups for Flow Grippers

SCG > SAUG-SCG 40 SI-HD

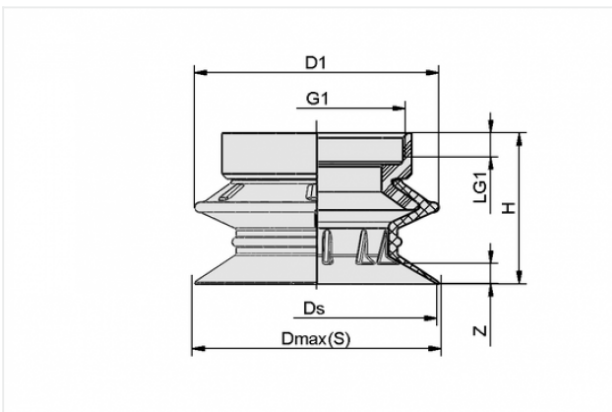
Flat suction cup (round)



Size: 40

Suction cup material: Silicone SI-HD

Design Data



| Attribute | Value |
|-----------|-------|
|-----------|-------|

| | |
|----|-------|
| D1 | 41 mm |
|----|-------|

| | |
|---------|---------|
| Dmax(S) | 41.5 mm |
|---------|---------|

| | |
|----|---------|
| Ds | 40.5 mm |
|----|---------|

| | |
|----|---------|
| G1 | M37x1-F |
|----|---------|

| | |
|---|---------|
| H | 27.8 mm |
|---|---------|

| | |
|-----|------|
| LG1 | 5 mm |
|-----|------|

| | |
|---|--------|
| Z | 3.7 mm |
|---|--------|

Technical Data

| Attribute | Value |
|-----------|-------|
|-----------|-------|

| | |
|------|----|
| Size | 40 |
|------|----|

Contact to Schmalz

J. Schmalz GmbH | Johannes-Schmalz-Straße, 72293 Glatten, Deutschland | +49 7443 2403-102 | customercenter@schmalz.de

| Attribute | Value |
|----------------------|----------------|
| Number of folds | 0 |
| Suction cup material | Silicone SI-HD |
| Weight | 13.1 g |

Spare Parts



FLSA 40 SI-HD

Part no. 10.01.06.03886

Flat suction cup (round)

Size: 40

Suction cup material: Silicone SI-HD

Accessories



SCG 1xE100 A MA

Part no. 10.01.30.00092

Flow Grippers for handling sensitive components

Number of ejectors: 1

Performance class: E100

with: Blow-off function

Mounting: Assembly axially



SCG 1xE100 A MS

Part no. 10.01.30.00170

Flow Grippers for handling sensitive components

Number of ejectors: 1

Performance class: E100

with: Blow-off function

Mounting: Assembly laterally



SCG 1xE100 A MA SDA

Part no. 10.01.30.00359

Flow Grippers for handling sensitive components

Number of ejectors: 1

Performance class: E100

with: Blow-off function

Mounting: Assembly axially

with: Axial silencer



SCG 1xE100 A MS SDA

Part no. 10.01.30.00360

Flow Grippers for handling sensitive components

Number of ejectors: 1

Performance class: E100

with: Blow-off function

Mounting: Assembly laterally

with: Axial silencer