

Flow gripper (mod) SCG 1xE100 A MA SDA

<https://www.schmalz.com/10.01.30.00359>



Part no.: 10.01.30.00359

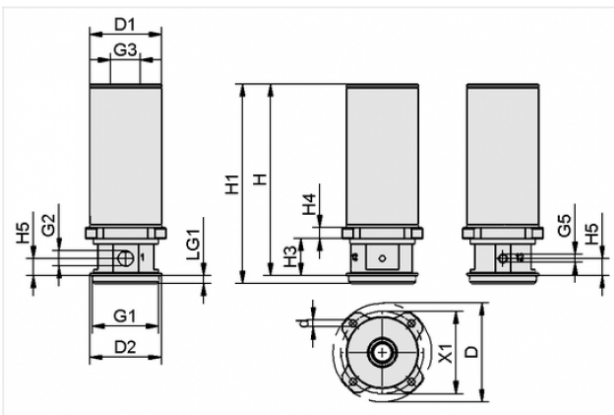
Homepage > Vacuum Technology for Automation > Vacuum Components > Special Grippers > Flow Grippers > Flow Grippers SCG > SCG 1xE100 A MA SDA

Flow Grippers for handling sensitive components



Number of ejectors: 1
Performance class: E100
with: Blow-off function
Mounting: Assembly axially
with: Axial silencer

Design Data



| Attribute | Value |
|-----------|----------|
| d | 4 mm |
| D | 55 mm |
| D1 | 40 mm |
| D2 | 39.8 mm |
| G1 | M37x1-M |
| G2 | G1/8"-F |
| G3 | G3/8"-F |
| G5 | M5-F |
| H | 106.6 mm |
| H1 | 111.1 mm |
| H3 | 20.6 mm |
| H4 | 6 mm |
| H5 | 9.6 mm |

Contact to Schmalz

J. Schmalz GmbH | Johannes-Schmalz-Straße, 72293 Glatten, Deutschland | +49 7443 2403-102 | customercenter@schmalz.de

| Attribute | Value |
|-----------|--------|
| LG1 | 4.5 mm |
| X1 | 46 mm |

Technical Data

| Attribute | Value |
|-------------------------------------|---------------------------------|
| Design | Blow-off function |
| Mounting | Assembly axially |
| Suction rate | 270 ... 590 l/min |
| Suction rate | 16.2 ... 35.4 m ³ /h |
| Air consumption | 60 ... 200 l/min |
| Air consumption | 3.6 ... 12.0 m ³ /h |
| Pressure range (operating pressure) | 1.0 ... 5.0 bar |
| Ambient temperature | 5 ... 75 °C |
| Weight | 164 g |

Note:

- Compressed-air consumption: The specified value can be equal for suction and blow-off. Operating pressures below 1 bar are possible but have to be tested individually

Spare Parts

Contact to Schmalz

**SD G3/8-AG 40x80 SCG**

Part no. 10.01.30.00352

Silencer for vacuum generators

Thread 1: G3/8-M

External diameter: 40 mm

Length: 80 mm

for: Composite gripper

Accessories**SAUG-FL SCG 40 POM**

Part no. 10.01.30.00030

Suction plate

External diameter D: 40 mm

Height H: 9.5 mm

Suction cup material:

Polyoxymethylene

for: Flow Grippers

**SAUG-FL SCG 60 POM**

Part no. 10.01.30.00031

Suction plate

External diameter D: 60 mm

Height H: 9.5 mm

Suction cup material:

Polyoxymethylene

for: Flow Grippers



SAUG-SCG 20 SI-HD

Part no. 10.01.30.00661

Flat suction cup (round)

Size: 20

Suction cup material: Silicone SI-HD



SAUG-SCG 30 SI-HD

Part no. 10.01.30.00655

Flat suction cup (round)

Size: 30

Suction cup material: Silicone SI-HD



SAUG-SCG 40 SI-HD

Part no. 10.01.30.00660

Flat suction cup (round)

Size: 40

Suction cup material: Silicone SI-HD



SAUG-SCG 50 SI-HD

Part no. 10.01.30.00593

Flat suction cup (round)

Size: 50

Suction cup material: Silicone SI-HD



SAUG-SCG 20 NBR-AS-55

Part no. 10.01.30.00716

Flat suction cup (round)

Size: 20

Suction cup material:

Nitrile rubber NBR-antistat

Material hardness: 55 °Sh



SAUG-SCG 30 NBR-AS-55

Part no. 10.01.30.00717

Flat suction cup (round)

Size: 30

Suction cup material:

Nitrile rubber NBR-antistat

Material hardness: 55 °Sh



SAUG-SCG 40 NBR-AS-55

Part no. 10.01.30.00718

Flat suction cup (round)

Size: 40

Suction cup material:

Nitrile rubber NBR-antistat

Material hardness: 55 °Sh



SAUG-SCG 50 NBR-AS-55

Part no. 10.01.30.00719

Flat suction cup (round)

Size: 50

Suction cup material:

Nitrile rubber NBR-antistat

Material hardness: 55 °Sh



STV-W G1/8-AG 6

Part no. 10.08.02.00288

Screw plug connection, swivelling elbow

Thread G1: G1/8-M

External hose diameter: 6 mm

Material: Plastic

**STV-W M5-AG 6**

Part no. 10.08.02.00296

Screw plug connection, swivelling elbow

Thread G1: M5-M

External hose diameter: 6 mm

Material: Plastic

**VSL 26-19 PVC-DS**

Part no. 10.07.09.00007

Hose for vacuum and compressed-air systems

External diameter D: 26 mm

Internal diameter d: 19 mm

Length (max): 50 m

Material: PVC, with wire spiral

Installation radius (min): 85 mm

Pressure range (operating pressure):

-0.90 ... 5.00 bar

Ambient temperature: -20 ... 70 °C